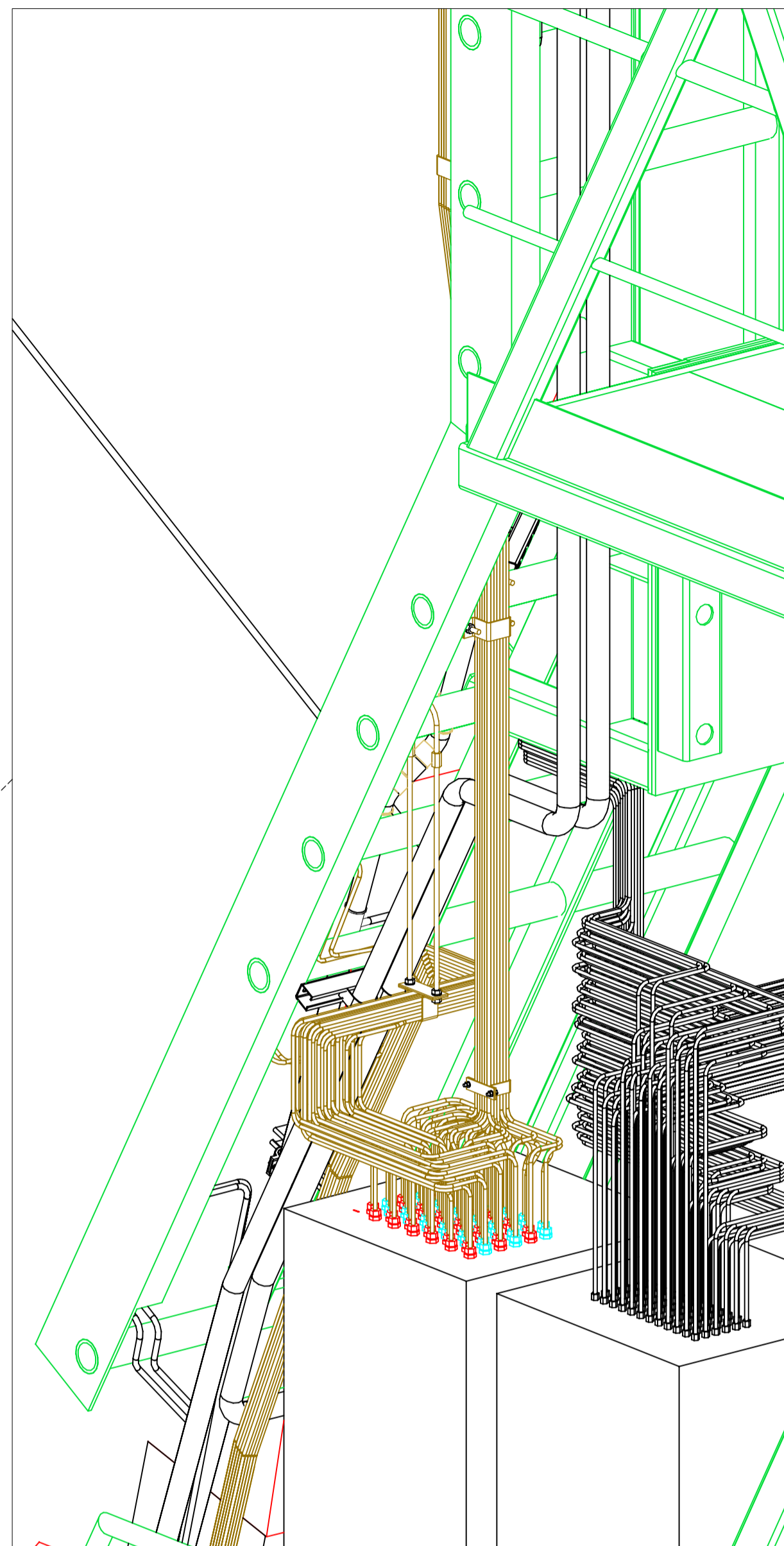
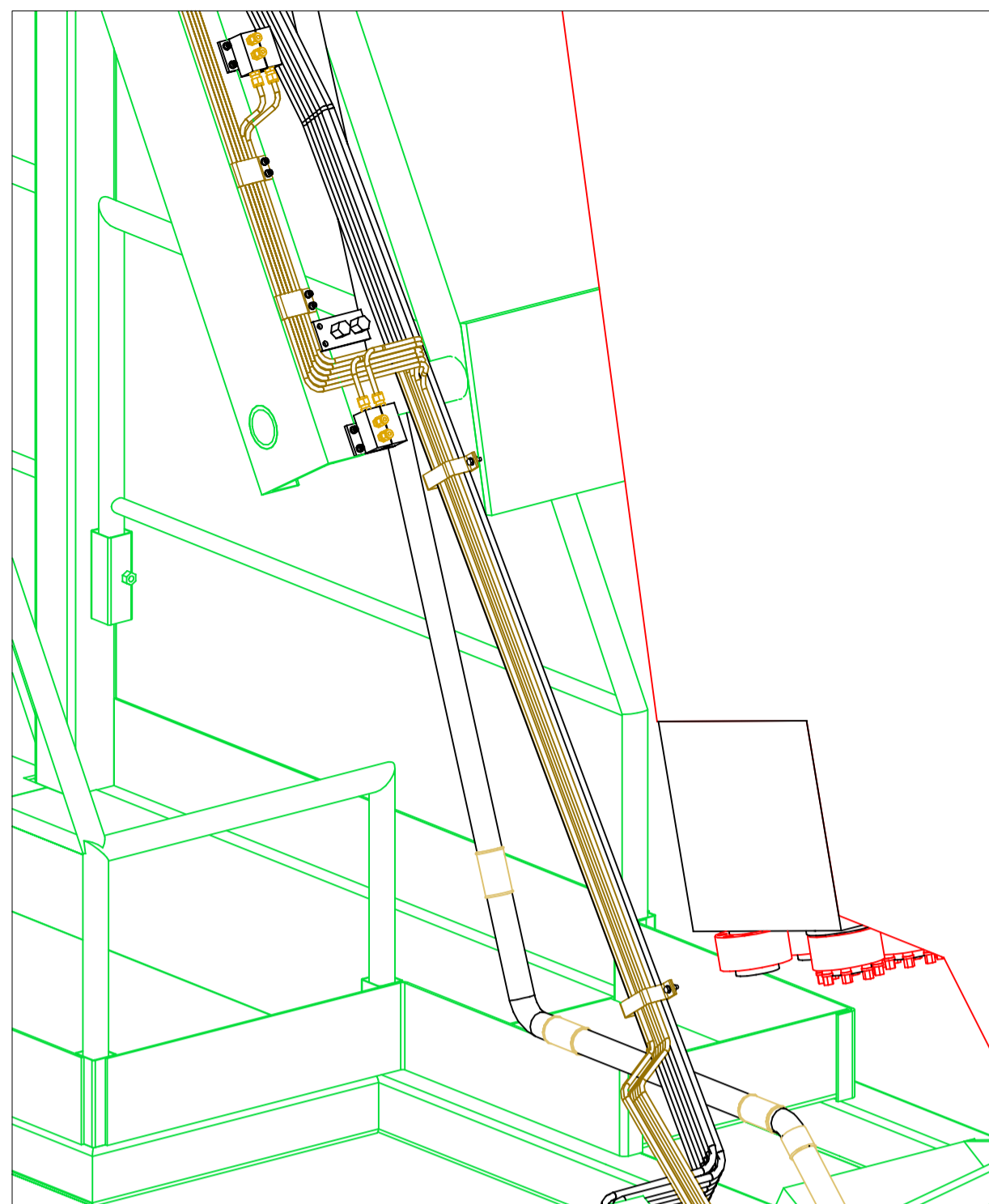
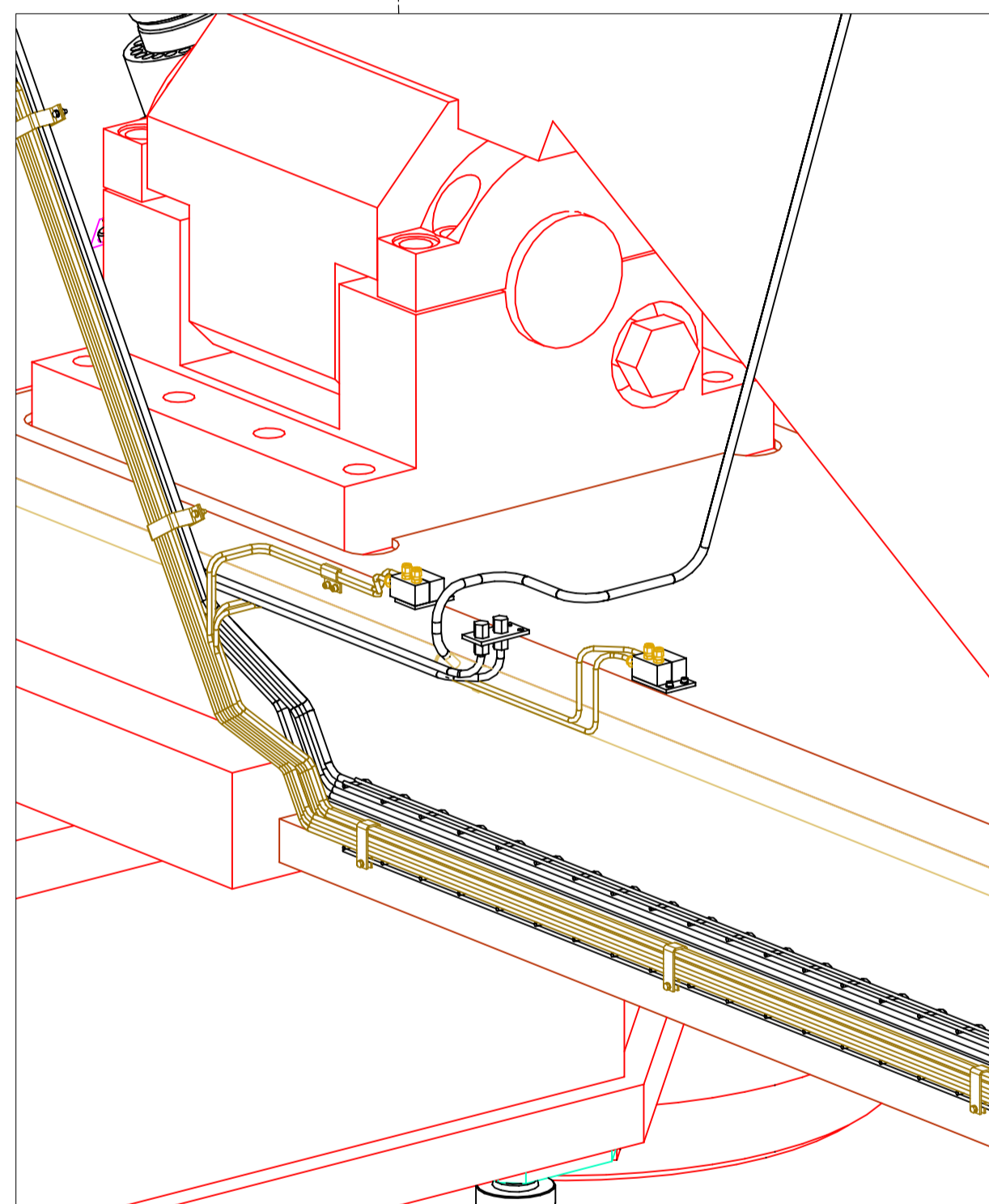
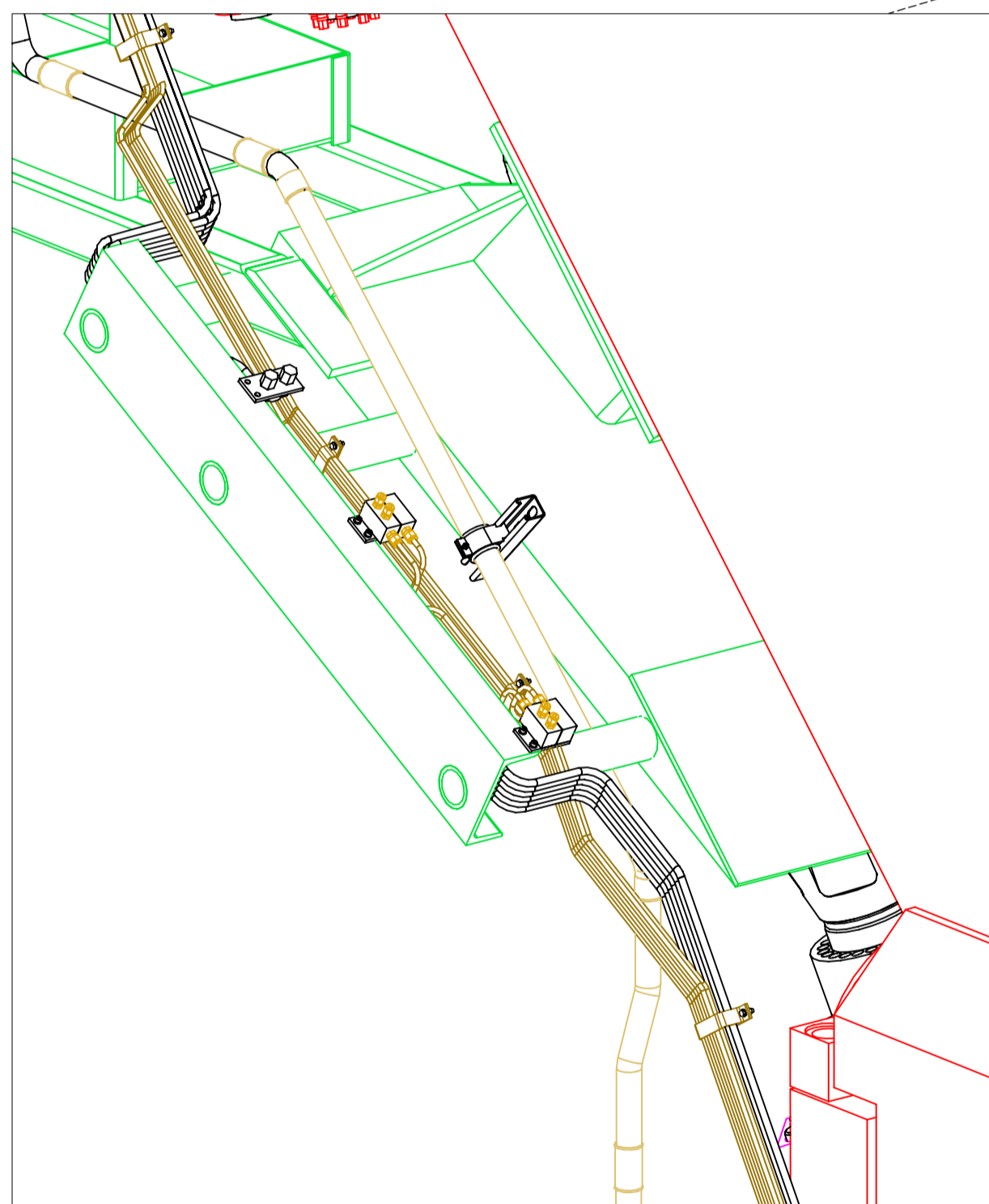
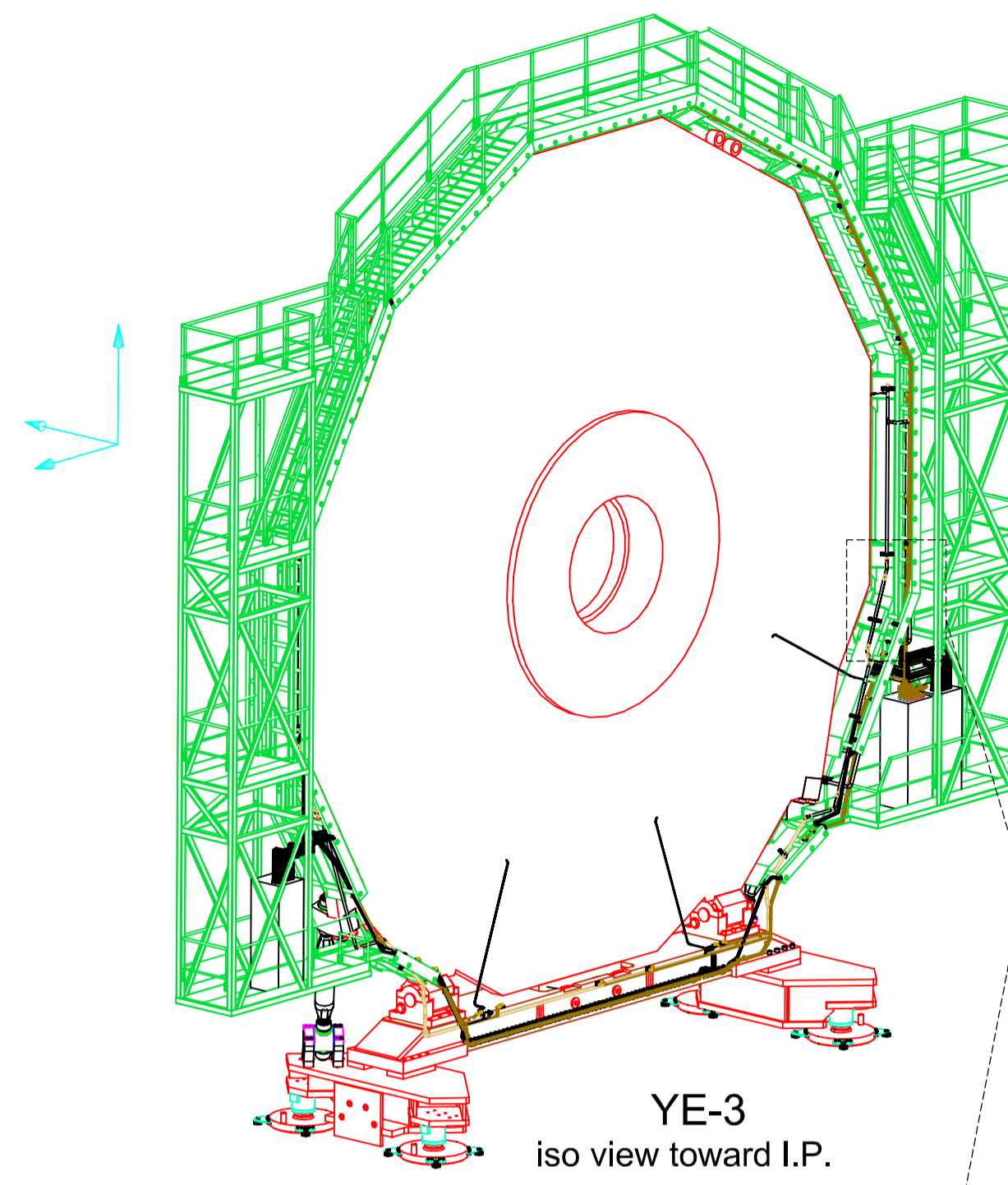


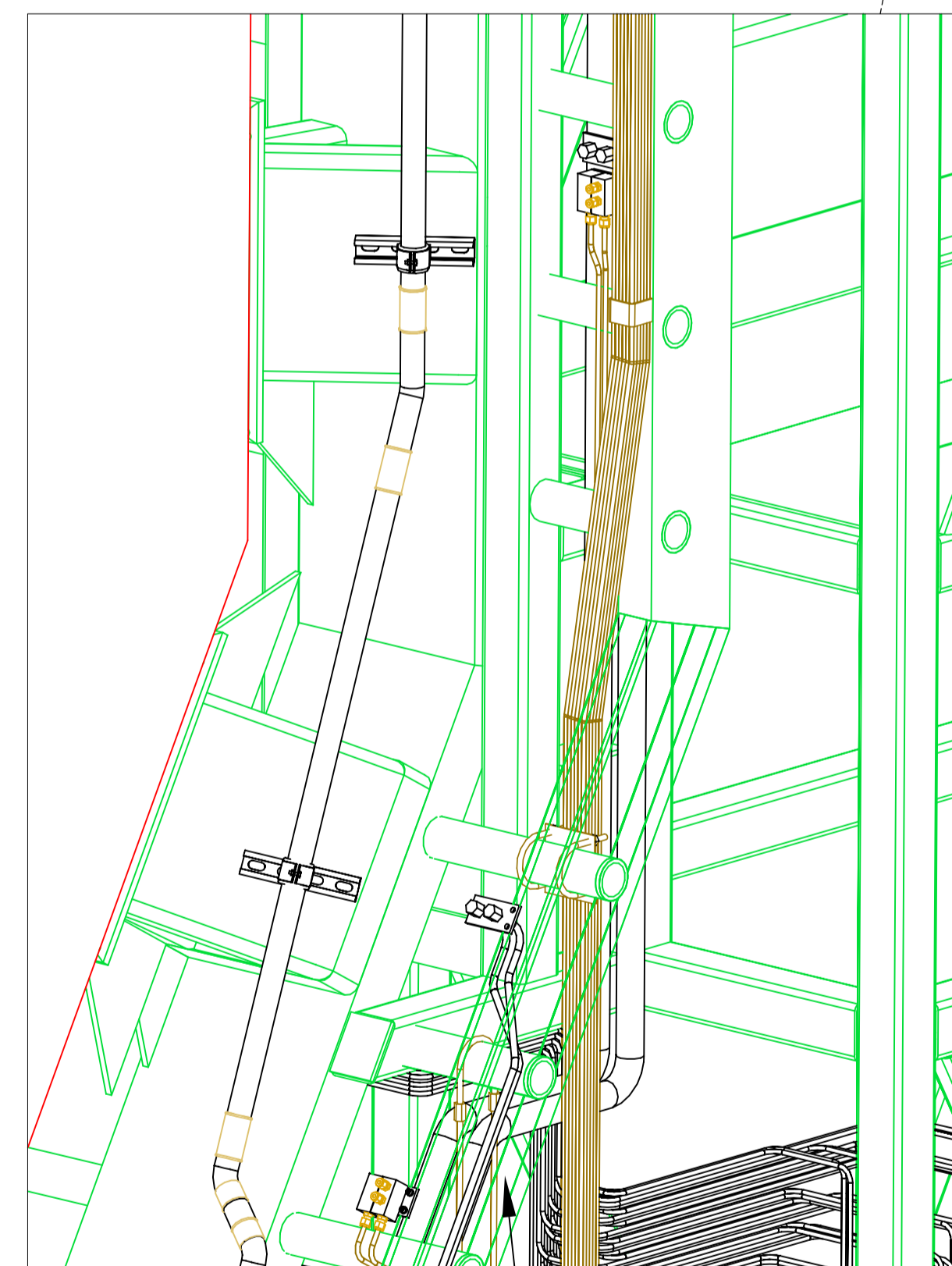
1:100



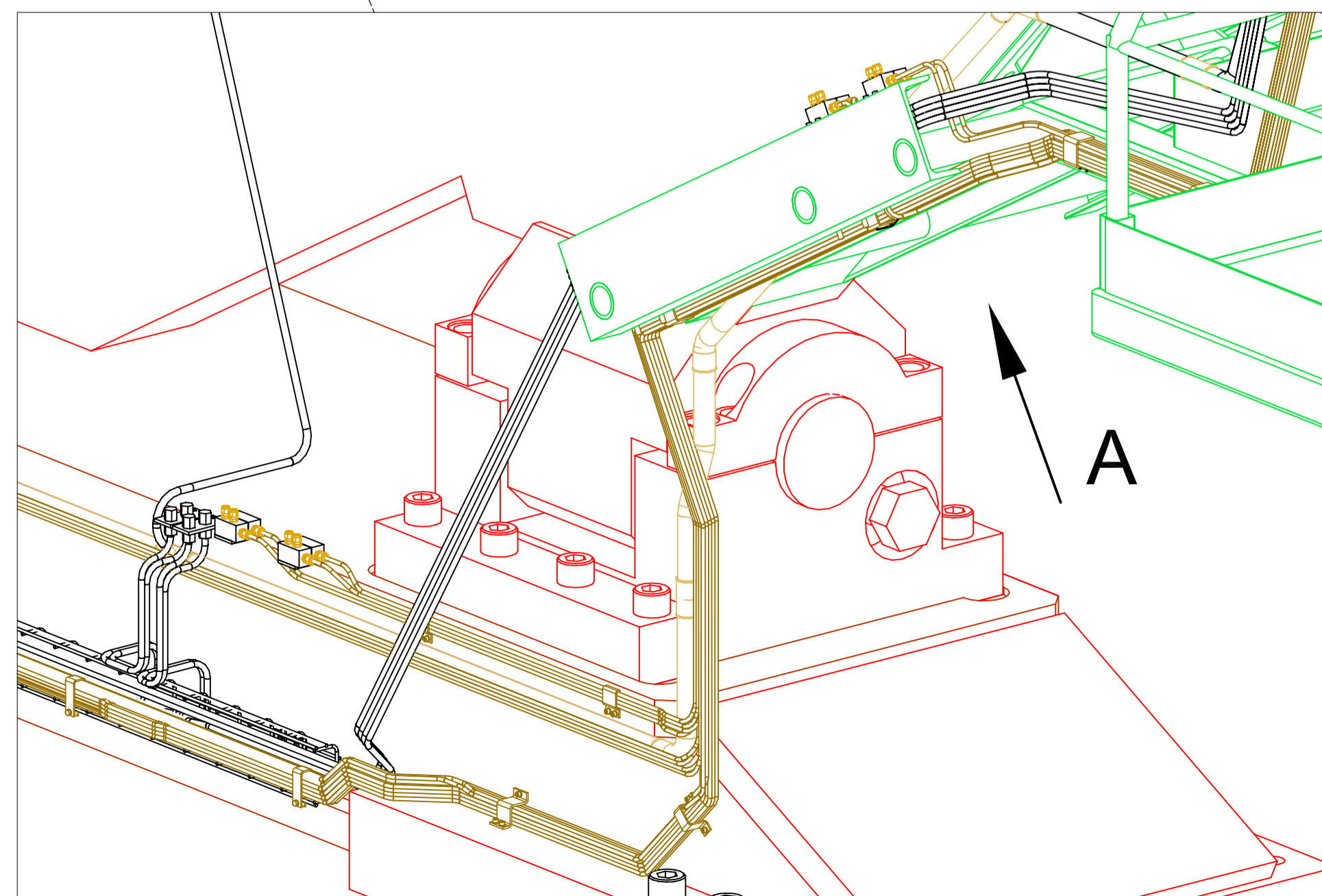
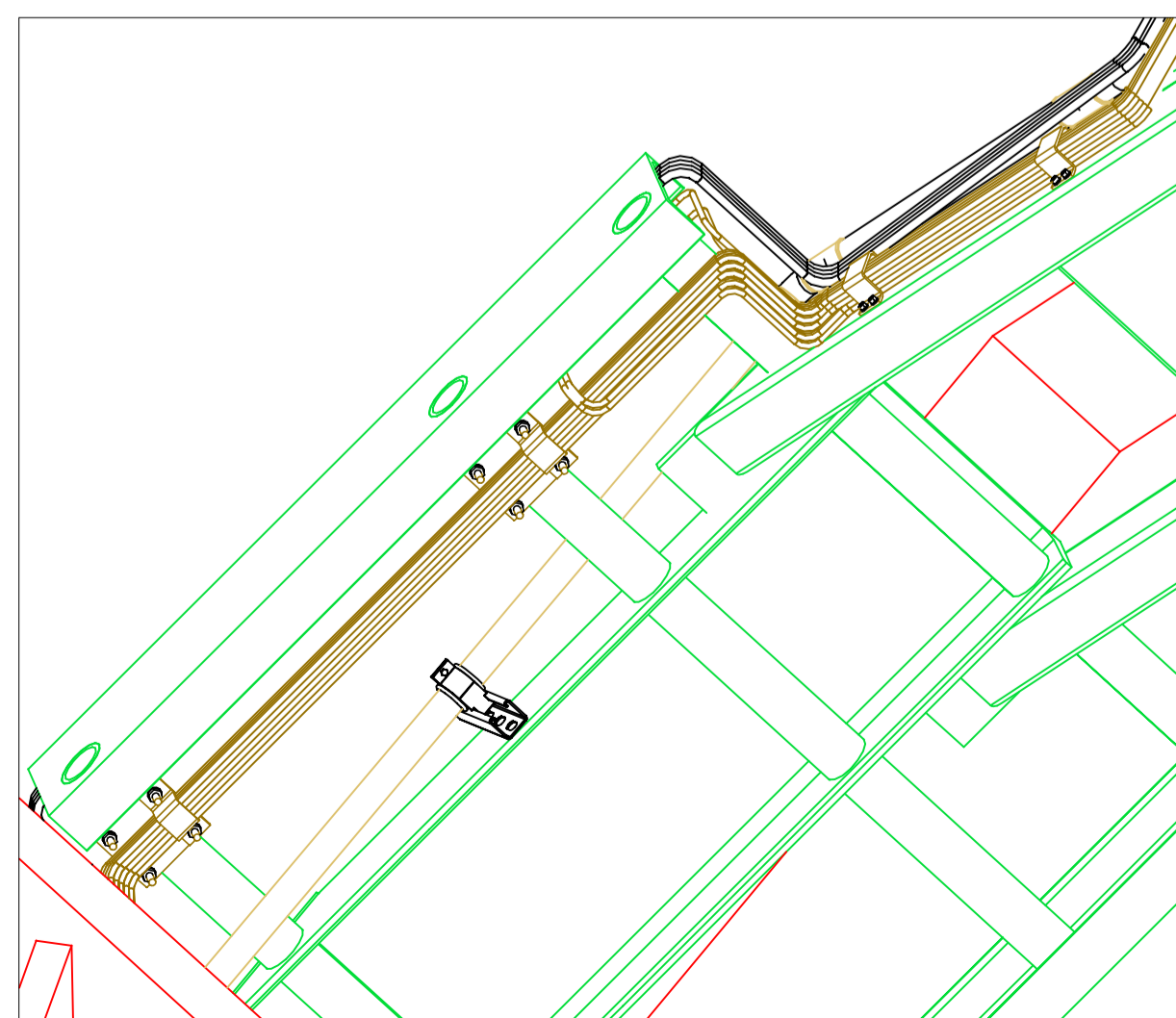
1:100



Some parts of the metallic structure removed.
Niektóre elementy metalowej konstrukcji usunięte.



One part of the metallic structure made transparent.
Jeden z elementów metalowej konstrukcji pokazany jako przezroczysty.



"A" view. Widok "A"

ENSEMBLE ELEMENT YE-3 ENDCAP						
RPC RE-4 gas pipes on the periphery of the endcap - 3D views						
DESIGNED	NAME	DATE	ECHELLE SCALE	DES/DRA. CONTROLLED	DES/DRA. APPROVED	DES/DRA. RELEASED
RELEASED	M.Sc. Wojciech Szczepny	28.01.2014	1:10			
CONTROLLED						
APPROVED						
				REPLACE/REPLACES		
3D maker				DWG	IND.	SIZE
				- CMSYEN3RE4_005_A 1 IN		

DESSIN, RUGOSITE, TOLERANCES
SELON NORMES ISO
DRAWING, SURFACES, TOLERANCES
ACCORDING TO ISO STANDARDS

DIMENSION <=6 > 6 > 30 > 100 > 315 > 1000 > 2000
DIMENSIONAL ACCURACY
DIMENSIONAL ACCURACY
DIMENSIONAL ACCURACY
DIMENSIONAL ACCURACY

ORGANISATION EUROPEENNE POUR
LE RESEAU RESEAU DE RECHERCHE
EUROPEAN ORGANIZATION OF NUCLEAR RESEARCH
ORGANIZATION OF NUCLEAR RESEARCH

This drawing may not be used for commercial purposes without written authorization