

HIGH VOLTAGE CONNECTORS

HIGH VOLTAGE SINGLE PIN CONNECTORS

(crimp and solder version)

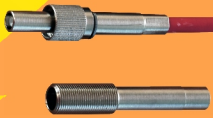
GENERAL SPECIFICATION

- Receptacle
- Plug
- Plug in line



CHARACTERISTICS

- Working voltage (mated) 15 Kvdc 1 mAMP
- Test voltage (mated) 20 Kvdc 1 mAMP
- 100 operations
- Screw coupling



THIS CONNECTOR CRIMP VERSION USE A CABLE RG58 SPECIAL Ø 5,1

HIGH VOLTAGE MULTI PIN CONNECTORS

(solder version 3 contacts)

GENERAL SPECIFICATION

- Receptacle
- Plug
- Hoods

CHARACTERISTICS

- Working voltage 15 Kvdc 2 mAMP
- Test voltage 20 Kvdc 2 mAMP
- Body material PE HLFR



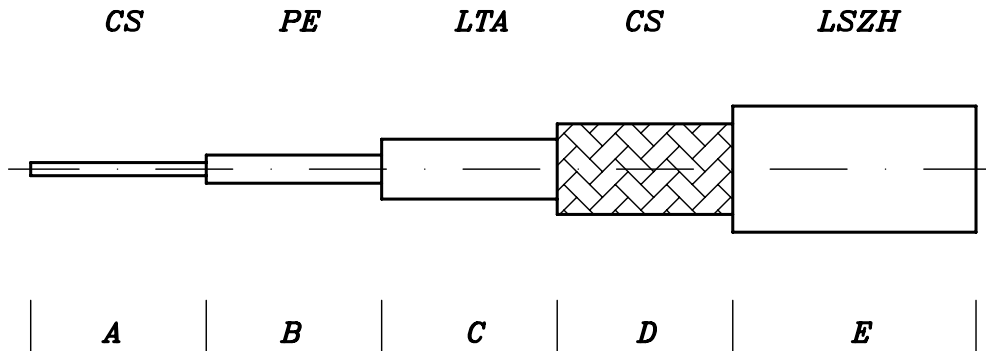
HIGH VOLTAGE MODULAR CONNECTORS



CPE ITALIA S.p.A. - Componenti Professionali per l'Elettronica

Via Chiasserini, 15 20157 MILANO tel. +390239096-1 fax +39023570774

www.cpeitalia.it sales@cpeitalia.it



MECHANICAL CHARACTERISTICS

- A** INNER CONDUCTOR TINNED COPPER CS
 - B** DIELECTRIC PE
 - C** ALUMINIUM FOIL LTA
 - D** BRAID TINNED COPPER CS
 - E** JACKET LSZH LSZH
- Jacket color: red

DIMENSIONS

- 19 x 0,18 mm
- ∅2,95 ±0,1 mm
- ∅3,05 mm
- ∅3,55 mm
- ∅5 ±0,1 mm

Copper weight: 18,7 Kg/Km
 Cable weight: 42 Kg/Km

ELECTRICAL CHARACTERISTICS

- IMPEDANCE 50±2 Ohm
- CAPACITANCE 100 pF/m
- RELATIVE VELOCITY OF PROPAGATION 66%

ATTENUATION dB/100m

- 50 MHz 9,6
- 200 MHz 18,3
- 470 MHz 29,5
- 860 MHz 42,0
- 1000 MHz 45,6
- 1350 MHz 55,0
- 1500 MHz 58,5
- 1750 MHz 64,0
- 2150 MHz 72,5
- 2400 MHz 77,5

SCREENING ATTENUATION

- 100-900 MHz >85
- INNER CONDUCTOR RESISTANCE 37,5 Ohm/Km
- OUTER CONDUCTOR RESISTANCE 16 Ohm/Km

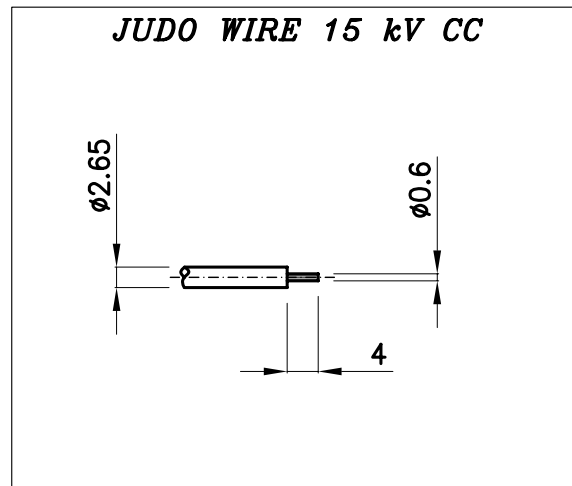
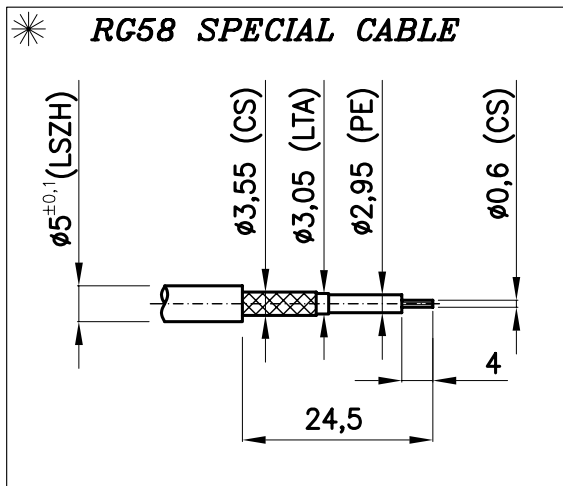
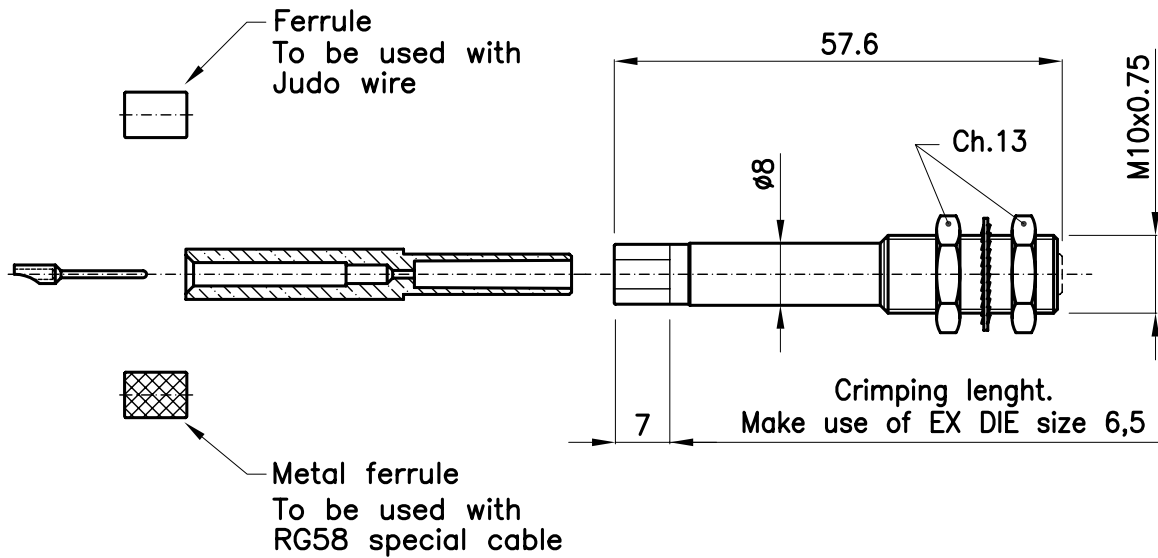
ROS (dB)

- 30-300 MHz >26
- 300-600 MHz >23
- 600-900 MHz >22

1	FIRST ISSUE	12/01/05 FC			Drawing: BARBA	Check: CONGIA
N°	Issue	Drawn	Check	Appr.	Date: 12/01/05	U.M. mm Form. A4 Scale 1:1
Description: SPECIAL CABLE PREV 3864L					Drawing N°: 01-001r01	
S.p.A. MILAN					Code: 01.000.000-001	

Copying of this document, disclosing it to third parties or using the contents thereof for any purposes without express written authorization by us is legally forbidden. Any offenders are liable to pay all relevant damages.

RECEPTACLE PANEL MOUNTING MALE CONTACT CABLE TERMINATION CRIMP



ELECTRICAL DATA :

Working voltage (mated) : 15 kV DC
 Test voltage (mated) : 20 kV DC
 Working current : 1mA

MECHANICAL FEATURES :

Operating cycles : 500 Insertions

REMARKS :

TESTED UNMATED
 UP TO MAX VOLTAGE
 OF 15KV

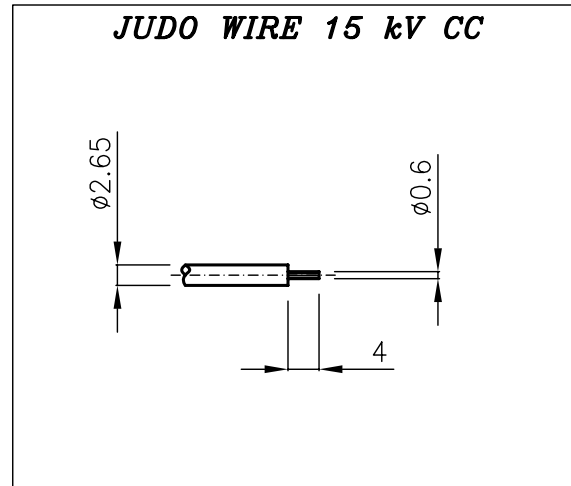
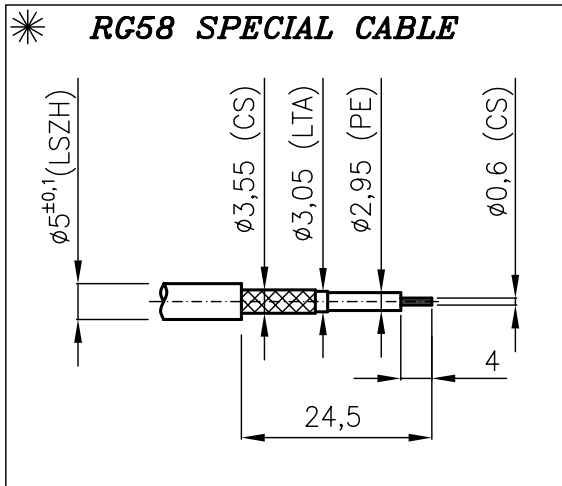
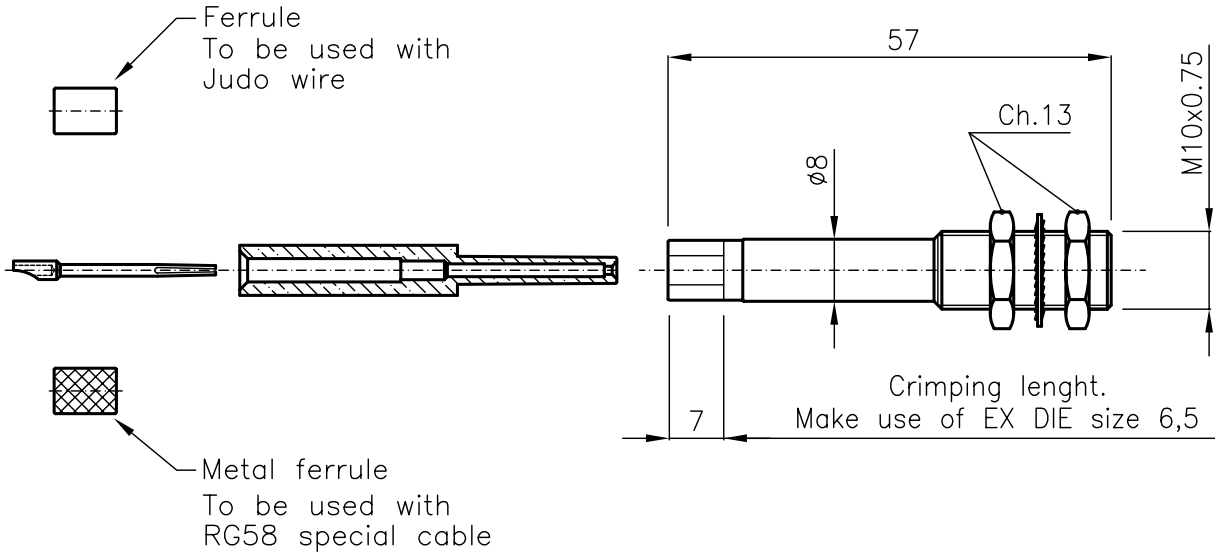
* Special cable PREV 3864L P/N CPE: 01-001

5	UPDATED	12/12/04	PB		
4	UPDATED AND TRANSLATED IN ENGLISH	12/01/05	FC		
3	UPDATED	05/02/04	PB		
2	UPDATED	14/01/00	MG		
1	FIRST ISSUE	18/05/98	SR		
N'	Issue	Drawn	Check	Appr.	

Description:	Drawing:	Check:
HIGH VOLTAGE CONNECTOR	SANTOVITO	GIANOTTI
	Date:	U.M. mm Form. Scale
	24/12/97	A4 1:1
	Drawing N°: 23-040r05	

	Copying of this document, disclosing it to third parties or using the contents thereof for any purposes without express written authorization by us is legally forbidden. Any offenders are liable to pay all relevant damages.	Code: 23.100.152-040
--	---	--------------------------------

RECEPTACLE PANEL MOUNTING FEMALE CONTACT CABLE TERMINATION CRIMP



ELECTRICAL DATA :

Working voltage (mated) : 15 kV DC
 Test voltage (mated) : 20 kV DC
 Working current : 1mA

MECHANICAL FEATURES :

Operating cycles : 500 Insertions

REMARKS :

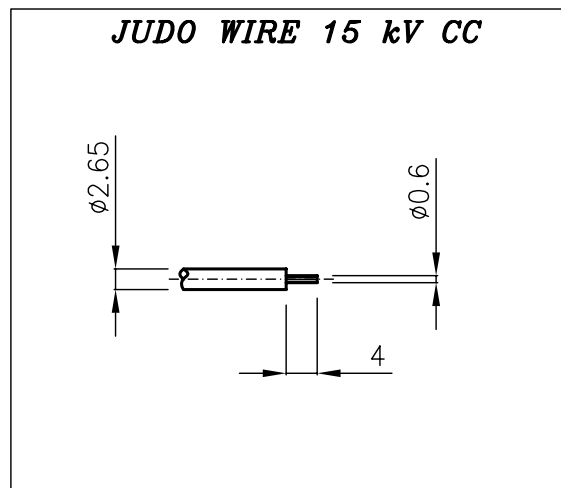
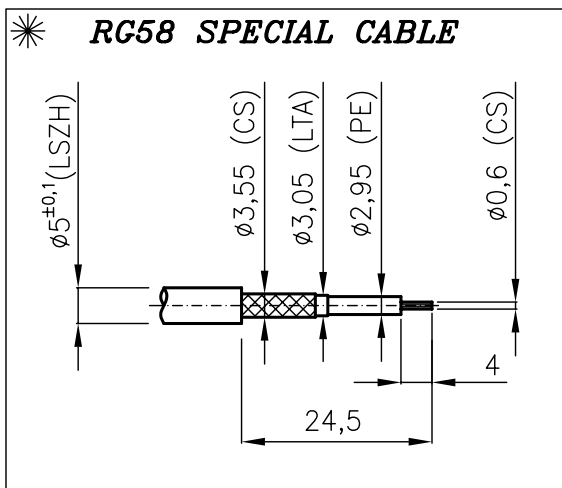
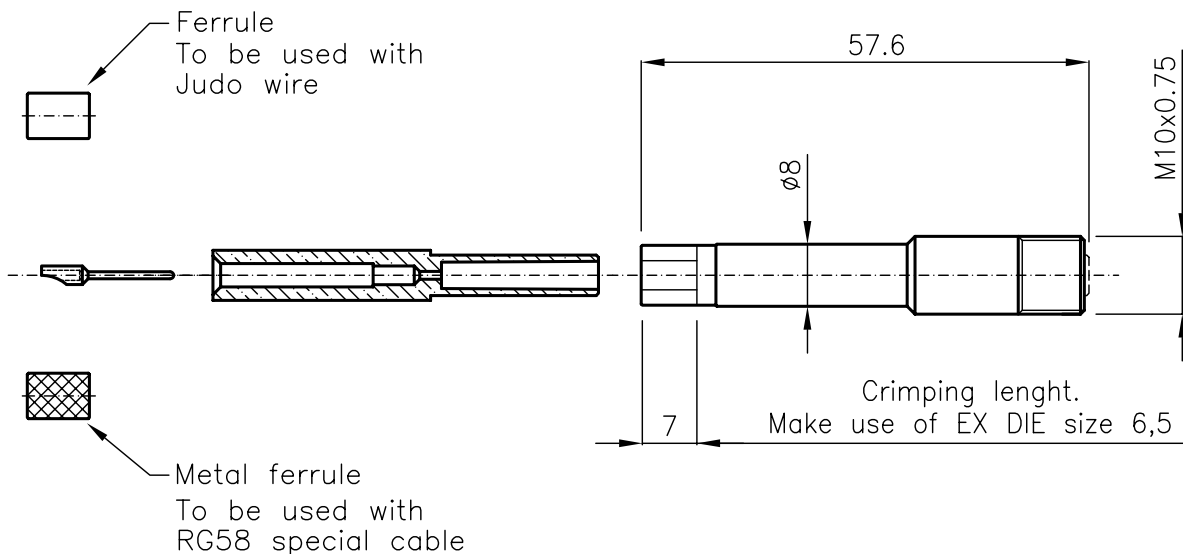
**IT MUSTN'T BE
UNDER VOLTAGE
UNMATED**

* Special cable PREV 3864L P/N CPE: 01-001

5	UPDATED	12/12/05 FC			
4	UPDATED AND TRANSLATED IN ENGLISH	12/01/05 FC			
3	UPDATED	05/02/04 PB			
2	UPDATED	14/01/00 MG			
1	FIRST ISSUE	18/05/98 SR			
N°	Issue	Drawn	Check	Appr.	Drawing: SANTOVITO Date: 24/12/97 Check: GIANOTTI U.M. mm Form. A4 Scale 1:1
Description: <h2 style="text-align: center;">HIGH VOLTAGE CONNECTOR</h2>					Drawing N°: 23-041r05
S.p.A. MILAN					Code: 23.100.052-041

Copying of this document, disclosing it to third parties or using the contents thereof for any purposes without express written authorization by us is legally forbidden. Any offenders are liable to pay all relevant damages.

INLINE RECEPTACLE MALE CONTACT CABLE TERMINATION CRIMP



ELECTRICAL DATA :

Working voltage (mated) : 15 kV DC
 Test voltage (mated) : 20 kV DC
 Working current : 1mA

MECHANICAL FEATURES :

Operating cycles : 500 Insertions

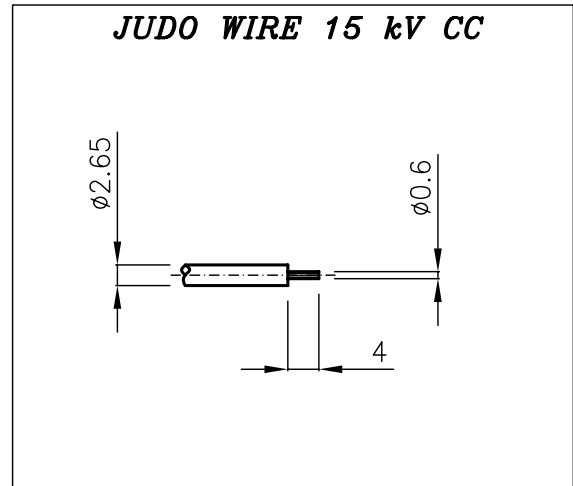
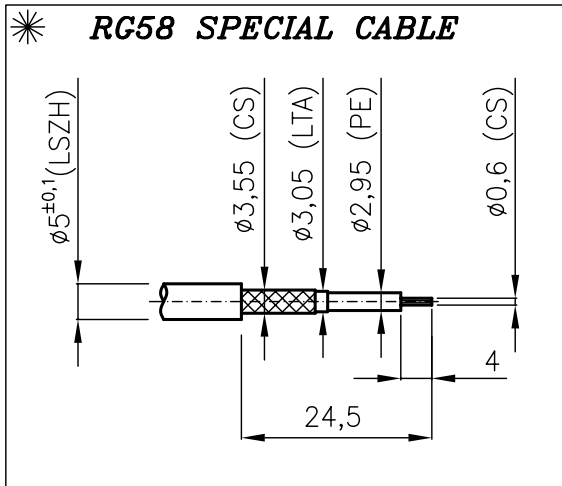
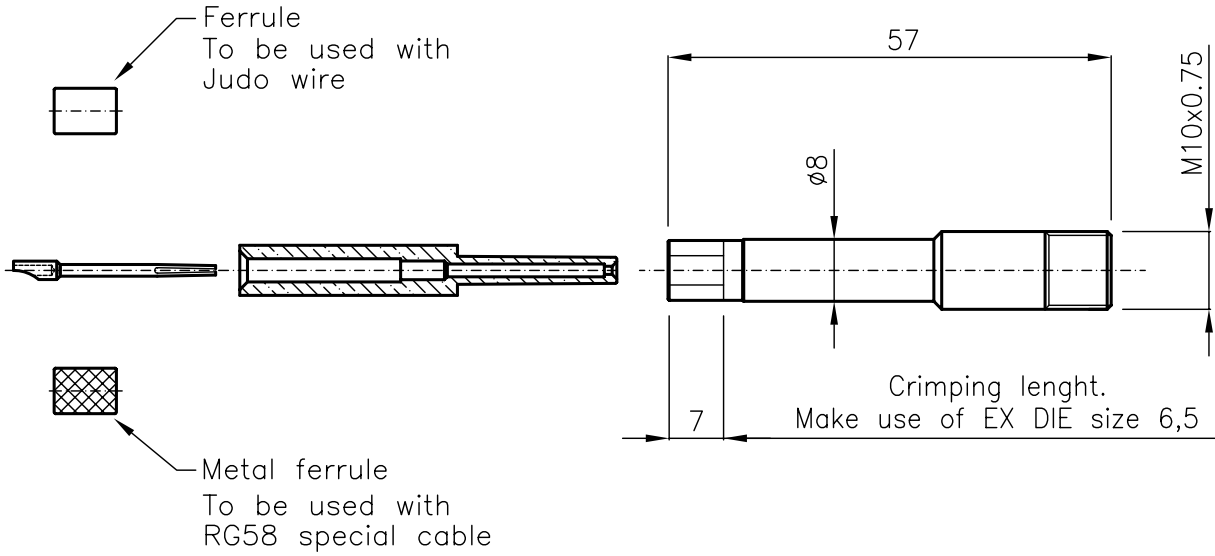
REMARKS :

TESTED UNMATED
UP TO MAX VOLTAGE
OF 15KV

* Special cable PREV 3864L P/N CPE: 01-001

5	UPDATED	12/12/05 FC							
4	UPDATED AND TRANSLATED IN ENGLISH	12/01/05 FC							
3	UPDATED	05/02/04 PB							
2	UPDATED	14/01/00 MG							
1	FIRST ISSUE	18/05/98 SR							
N°	Issue	Drawn	Check	Appr.	Drawing: SANTOVITO Check: GIANOTTI				
<p>DESCRIPTION:</p> <h2 style="margin: 0;">HIGH VOLTAGE CONNECTOR</h2>					Date: 24/12/97 U.M. mm Form. Scale A4 1:1				
					Drawing N°: 23-042r05				
					Code: 23.100.152-042				
		Copying of this document, disclosing it to third parties or using the contents thereof for any purposes without express written authorization by us is legally forbidden. Any offenders are liable to pay all relevant damages.							

INLINE RECEPTACLE FEMALE CONTACT CABLE TERMINATION CRIMP



ELECTRICAL DATA :

Working voltage (mated) : 15 kV DC
 Test voltage (mated) : 20 kV DC
 Working current : 1mA

MECHANICAL FEATURES :

Operating cycles : 500 Insertions

REMARKS :

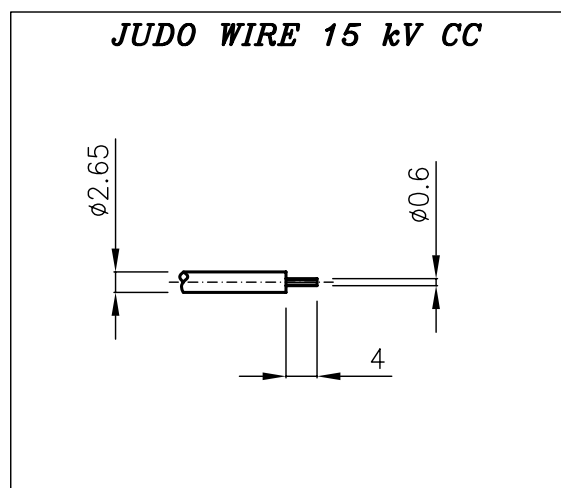
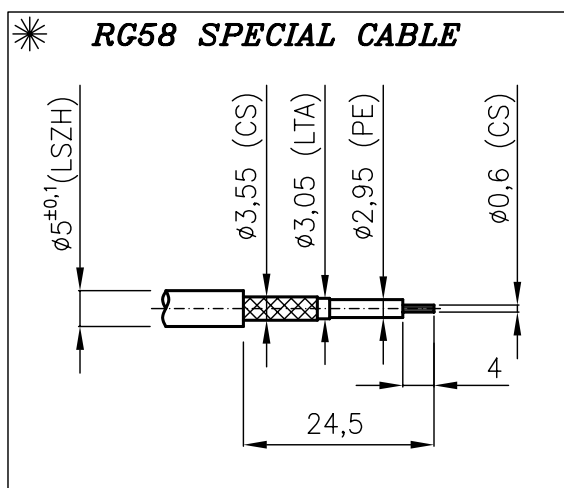
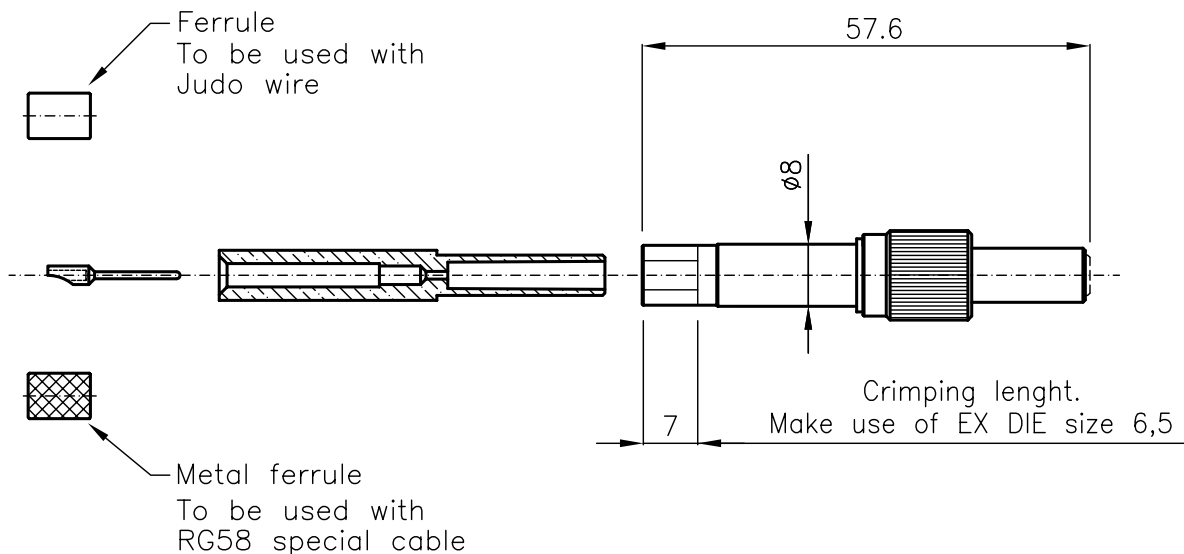
*IT MUSTN'T BE
 UNDER VOLTAGE
 UNMATED*

* Special cable PREV 3864L P/N CPE: 01-001

5	UPDATED	12/12/05 FC			
4	UPDATED AND TRANSLATED IN ENGLISH	12/01/05 FC			
3	UPDATED	05/02/04 PB			
2	UPDATED	14/01/00 MG			
1	FIRST ISSUE	18/05/98 SR			
N°	Issue	Drawn	Check	Appr.	Drawing: SANTOVITO Check: GIANOTTI
Description: <h2 style="margin: 0;">HIGH VOLTAGE CONNECTOR</h2>					Date: 24/12/97 U.M. mm Form. A4 Scale 1:1
					Drawing N°: 23-043r05
S.p.A. MILAN					Code: 23.100.052-043

Copying of this document, disclosing it to third parties or using the contents thereof for any purposes without express written authorization by us is legally forbidden. Any offenders are liable to pay all relevant damages.

PLUG WITH MALE CONTACT CABLE TERMINATION CRIMP



ELECTRICAL DATA :

Working voltage (mated) : 15 kV DC
 Test voltage (mated) : 20 kV DC
 Working current : 1mA

MECHANICAL FEATURES :

Operating cycles : 500 Insertions

REMARKS :

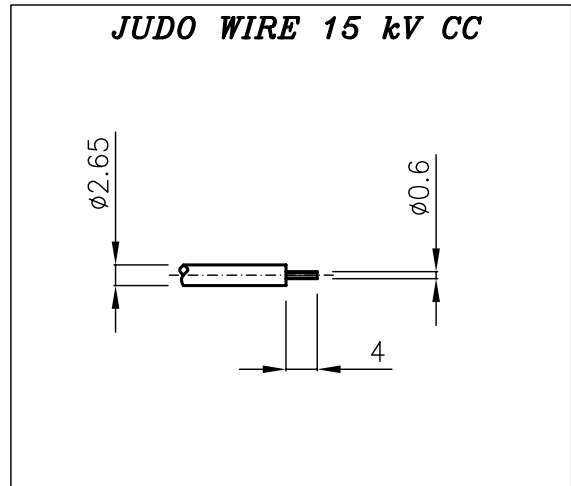
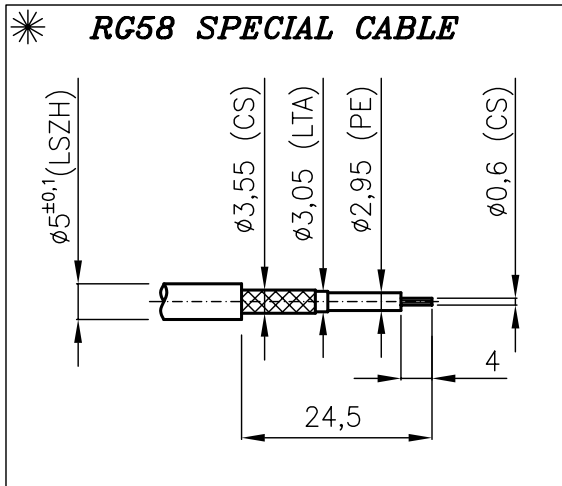
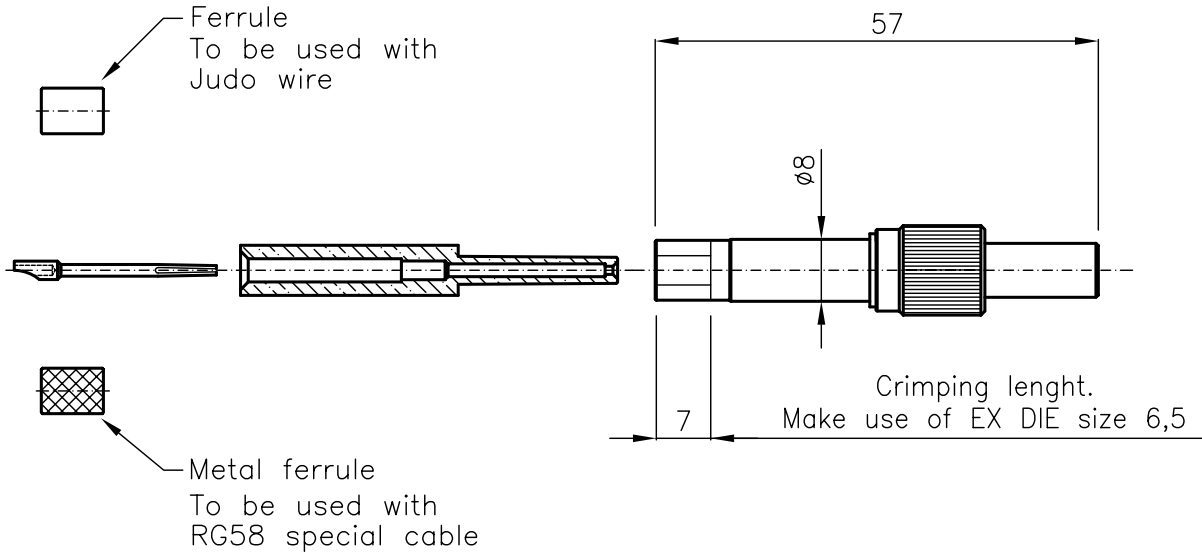
TESTED UNMATED
UP TO MAX VOLTAGE
OF 15KV

* Special cable PREV 3864L P/N CPE: 01-001

5	UPDATED	12/12/05 FC			
4	UPDATED AND TRANSLATED IN ENGLISH	12/01/05 FC			
3	UPDATED	05/02/04 PB			
2	UPDATED	14/01/00 MG			
1	FIRST ISSUE	18/05/98 SR			
N°	Issue	Drawn	Check	Appr.	Drawing: SANTOVITO Check: GIANOTTI
Description:					Date: 24/12/97 U.M. mm Form. A4 Scale 1:1
<h2>HIGH VOLTAGE CONNECTOR</h2>					Drawing N°: 23-044r05
S.p.A. MILAN					Code: 23.100.152-044

Copying of this document, disclosing it to third parties or using the contents thereof for any purposes without express written authorization by us is legally forbidden. Any offenders are liable to pay all relevant damages.

PLUG WITH FEMALE CONTACT CABLE TERMINATION CRIMP



ELECTRICAL DATA :

Working voltage (mated) : 15 kV DC
 Test voltage (mated) : 20 kV DC
 Working current : 1mA

MECHANICAL FEATURES :

Operating cycles : 500 Insertions

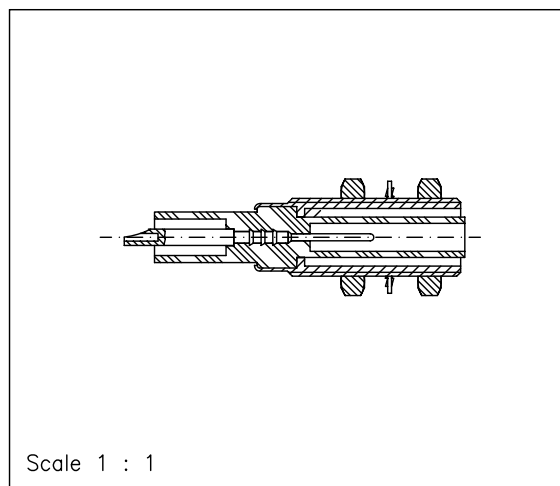
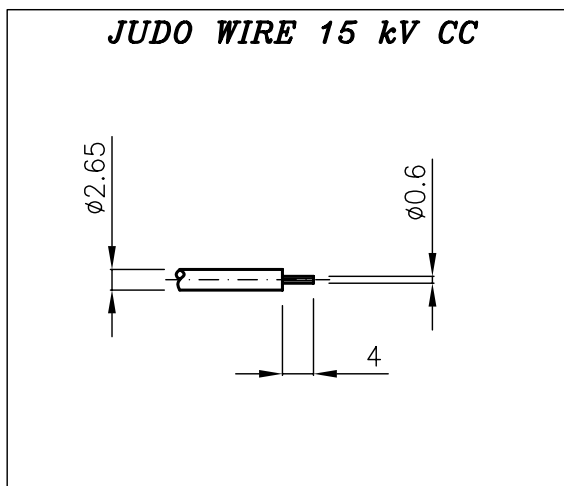
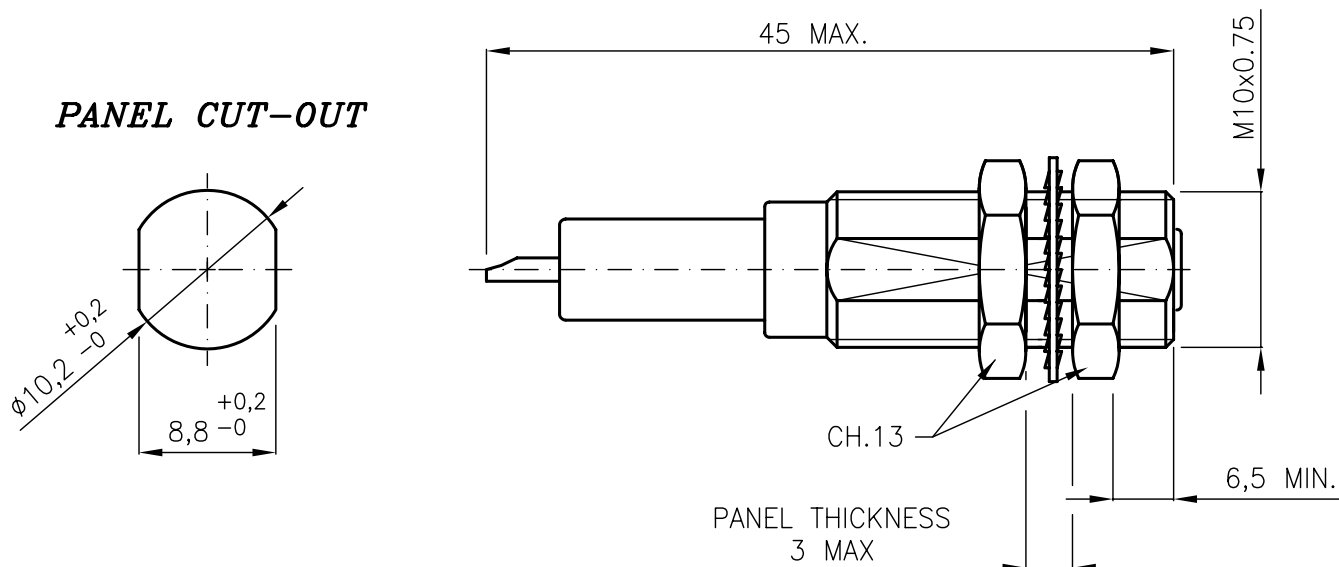
REMARKS :

**IT MUSTN'T BE
UNDER VOLTAGE
UNMATED**

* Special cable PREV 3864L P/N CPE: 01-001

5	UPDATED	12/12/05 PB			
4	UPDATED AND TRANSLATED IN ENGLISH	12/01/05 FC			
3	UPDATED	05/02/04 PB			
2	UPDATED	14/01/00 MG			
1	FIRST ISSUE	18/05/98 SR			
N°	Issue	Drawn	Check	Appr.	Drawing: SANTOVITO Check: GIANOTTI
DESCRIPTION: <h2 style="margin: 0;">HIGH VOLTAGE CONNECTOR</h2>					Date: 24/12/97 U.M. mm Form. Scale A4 1:1
					Drawing N°: 23-045r05
S.p.A. MILAN					Code: 23.100.052-045
Copying of this document, disclosing it to third parties or using the contents thereof for any purposes without express written authorization by us is legally forbidden. Any offenders are liable to pay all relevant damages.					

RECEPTACLE PANEL MOUNTING SOLDER MALE CONTACT



ELECTRICAL DATA :

Working voltage (mated) : 15 kV DC
 Test voltage (mated) : 20 kV DC
 Working current : 1mA

MECHANICAL FEATURES :

Operating cycles : 500 Insertions

REMARKS :

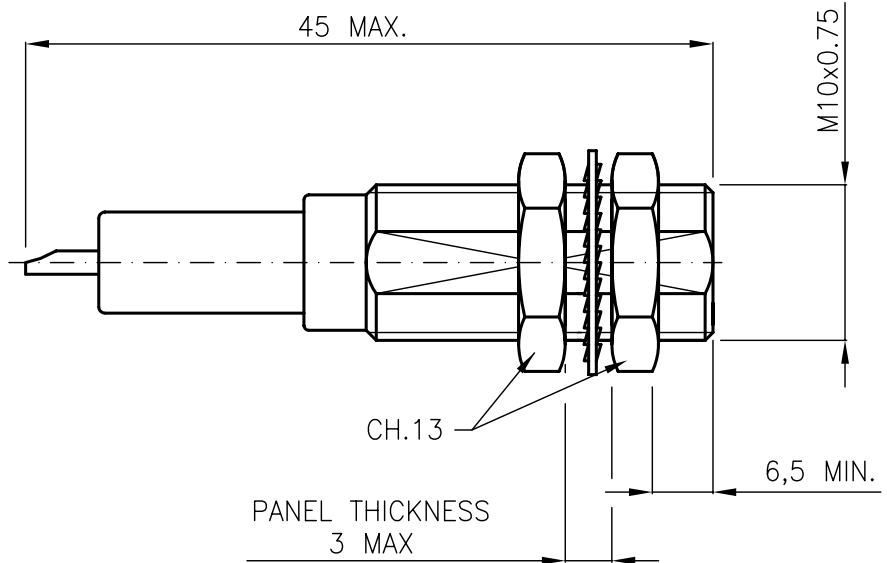
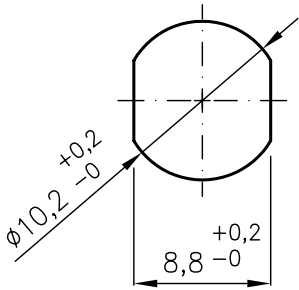
TESTED UNMATED
 UP TO MAX VOLTAGE
 OF 15KV

4	UPDATED AND TRANSLATED IN ENGLISH	12/01/05 FC			
3	UPDATED	05/02/04 PB			
2	UPDATED	14/01/00 MG			
1	FIRST ISSUE	18/05/98 SR			
N°	Issue	Drawn	Check	Appr.	Drawing: SANTOVITO Date: 24/12/97
DESCRIPTION: <h2 style="margin: 0;">HIGH VOLTAGE CONNECTOR</h2>					Check: GIANOTTI U.M. mm Form. Scale A4 1:1
					Drawing N°: 23-046r04
S.p.A. MILAN					Code: 23.100.151-046

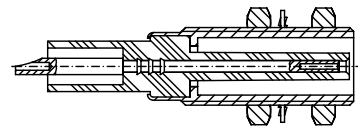
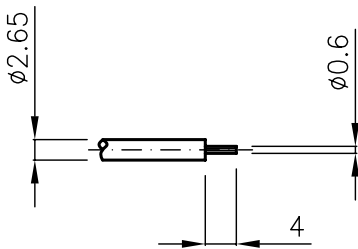
Copying of this document, disclosing it to third parties or using the contents thereof for any purposes without express written authorization by us is legally forbidden. Any offenders are liable to pay all relevant damages.

RECEPTACLE PANEL MOUNTING SOLDER FEMALE CONTACT

PANEL CUT-OUT



JUDO WIRE 15 kV CC



Scale 1 : 1

ELECTRICAL DATA :

Working voltage (mated) : 15 kV DC
 Test voltage (mated) : 20 kV DC
 Working current : 1mA

REMARKS :

IT MUSTN'T BE
 UNDER VOLTAGE
 UNMATED

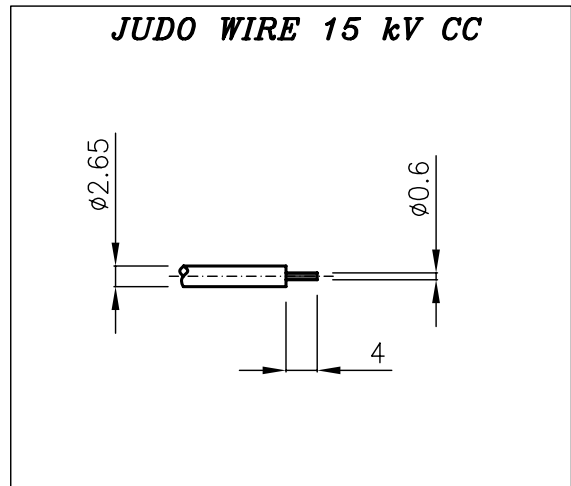
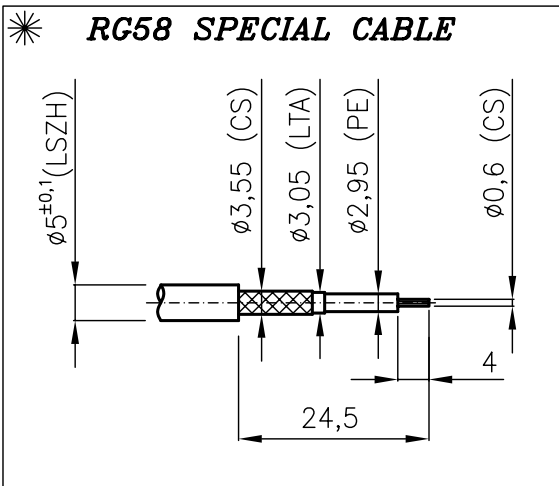
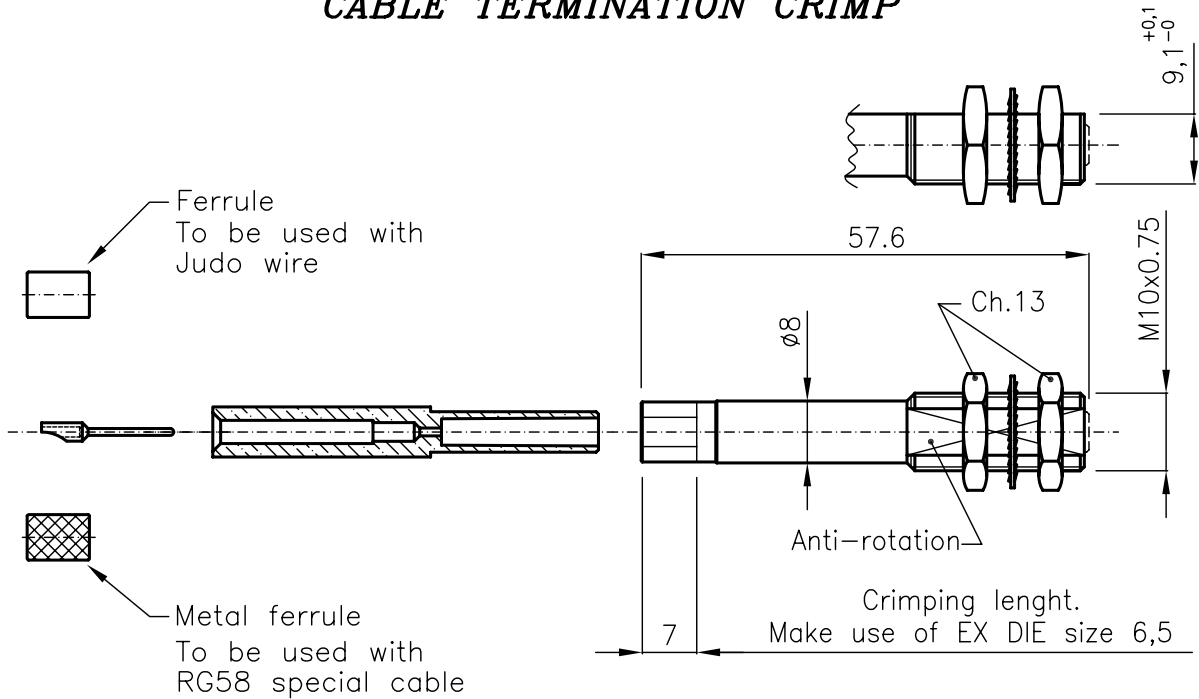
MECHANICAL FEATURES :

Operating cycles : 500 Insertions

4	UPDATED AND TRANSLATED IN ENGLISH	12/01/05 FC			
3	UPDATED	05/02/04 PB			
2	UPDATED	14/01/00 MG			
1	FIRST ISSUE	18/05/98 SR			
N°	Issue	Drawn	Check	Appr.	Drawing: SANTOVITO Date: 24/12/97 Drawing N°: 23-047r04
DESCRIPTION: <h2 style="margin-top: 10px;">HIGH VOLTAGE CONNECTOR</h2>					Check: GIANOTTI U.M. mm Form. Scale A4 2:1
S.p.A. MILAN					Code: 23.100.051-047

Copying of this document, disclosing it to third parties or using the contents thereof for any purposes without express written authorization by us is legally forbidden. Any offenders are liable to pay all relevant damages.

RECEPTACLE PANEL MOUNTING MALE CONTACT CABLE TERMINATION CRIMP



ELECTRICAL DATA :

Working voltage (mated) : 15 kV DC
 Test voltage (mated) : 20 kV DC
 Working current : 1mA

MECHANICAL FEATURES :

Operating cycles : 500 Insertions

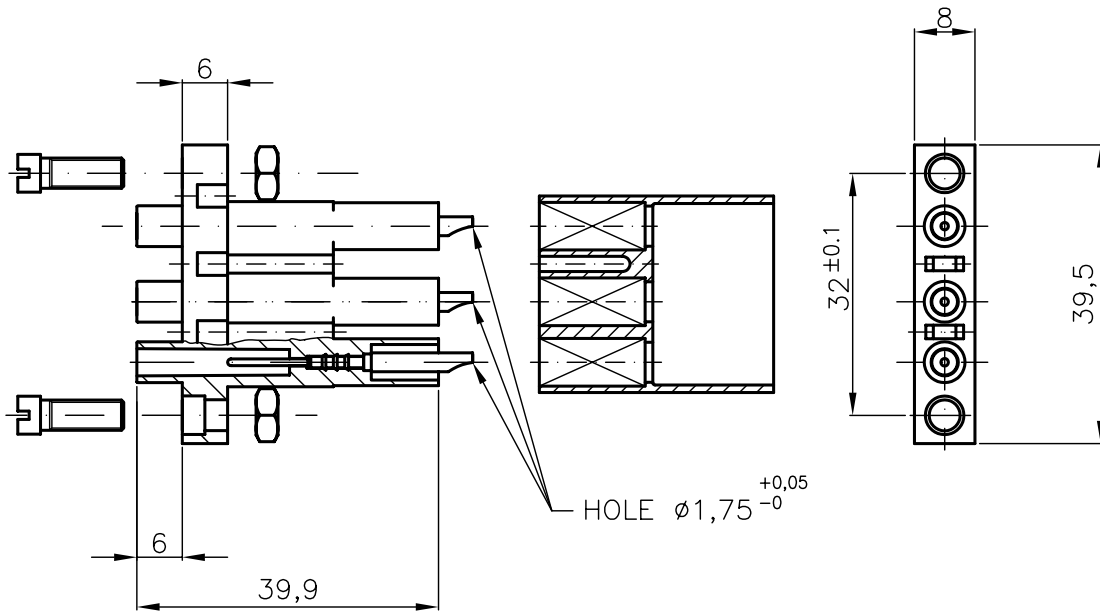
REMARKS :
 TESTED UNMATED
 UP TO MAX VOLTAGE
 OF 15KV

* Special cable PREV 3864L P/N CPE: 01-001

4	UPDATED	12/12/05 PB			
3	UPDATED AND TRANSLATED IN ENGLISH	12/01/05 FC			
2	UPDATED	05/02/04 PB			
1	FIRST ISSUE	14/01/00 MG			
N°	Issue	Drawn	Check	Appr.	Drawing: BARBA Date: 14/01/04 Check: CONGIA U.M. mm Form. Scale: A4 1:1
Description: <h2 style="text-align: center;">HIGH VOLTAGE CONNECTOR</h2>					Drawing N°: 23-062r04
S.p.A. MILAN					Code: 23.100.152-062

Copying of this document, disclosing it to third parties or using the contents thereof for any purposes without express written authorization by us is legally forbidden. Any offenders are liable to pay all relevant damages.

RECEPTACLE PANEL MOUNTING
3 MALE CONTACTS SOLDER TERMINATION



MATERIALS & PLATING :

Body	PE-AD53+MB47	ULV0
Contact	BZ 4	Ag 5 μ
Other metal components	Brass, ISO OT58	Ni 3 μ

ELECTRICAL DATA :

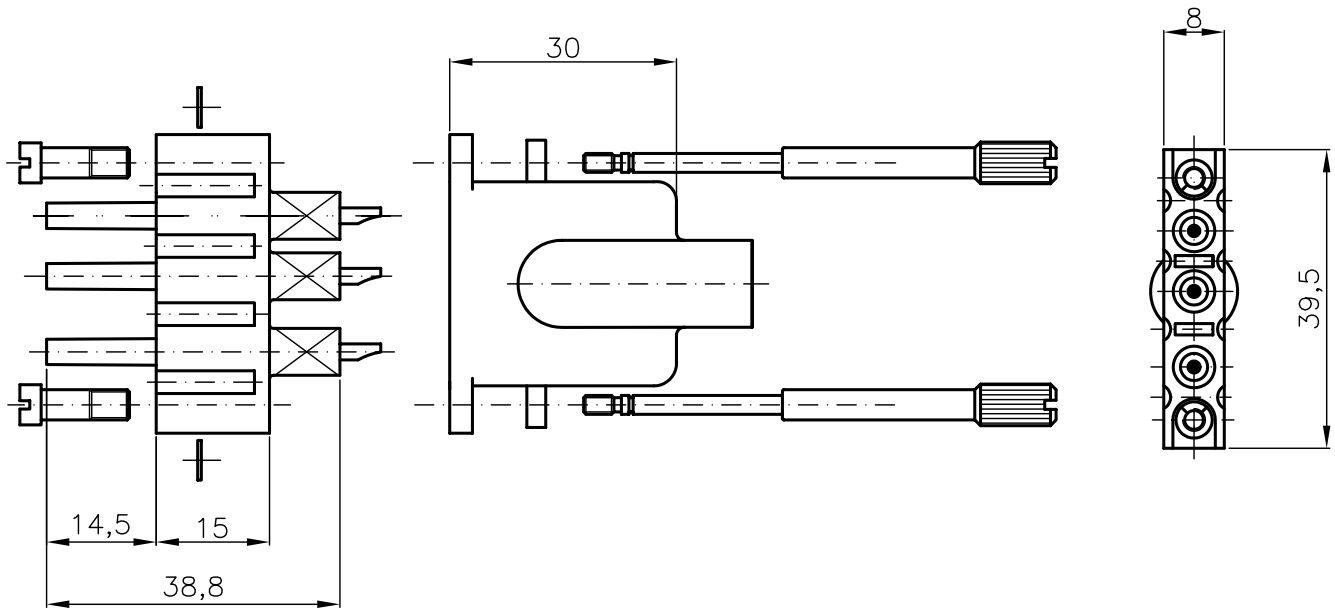
Working voltage : 15 kV DC
 Test voltage : 20 kV DC
 Working current : 2mA

MECHANICAL FEATURES :

Operating cycles : 500 Insertions

5	UPDATED AND TRANSLATED IN ENGLISH	12/01/05 FC			
4	UPDATED	16/09/02 FC			
3	UPDATED	28/01/02 FC			
2	UPDATED	24/09/01 FC			
1	FIRST ISSUE	27/08/01 FC			
N°	Issue	Drawn	Check	Appr.	Drawing: BARBA Date: 14/01/04 Drawing N°: 28-019r05
Description: <p style="text-align: center;">HIGH VOLTAGE CONNECTOR</p>					Check: CONCIA U.M. mm Form. A4 Scale 1:1
S.p.A. MILAN					Code: <p style="text-align: center;">28.000.512-019</p>
Copying of this document , disclosing it to third parties or using the contents there of for any purposes whitout express written authorization by us is legally forbidden. Any offenders are liable to pay all relevant damages.					

**PLUG 3 FEMALE CONTACTS SOLDER TERMINATION
WITH HOOD**



MATERIALS & PLATING :

Body	PE-AD53+MB47	ULVO
Contact	CU-BE	Ag 5 μ
Other metal components	Brass, ISO OT58	Ni 3 μ

ELECTRICAL DATA :

Working voltage : 15 kV DC
 Test voltage : 20 kV DC
 Working current : 2mA

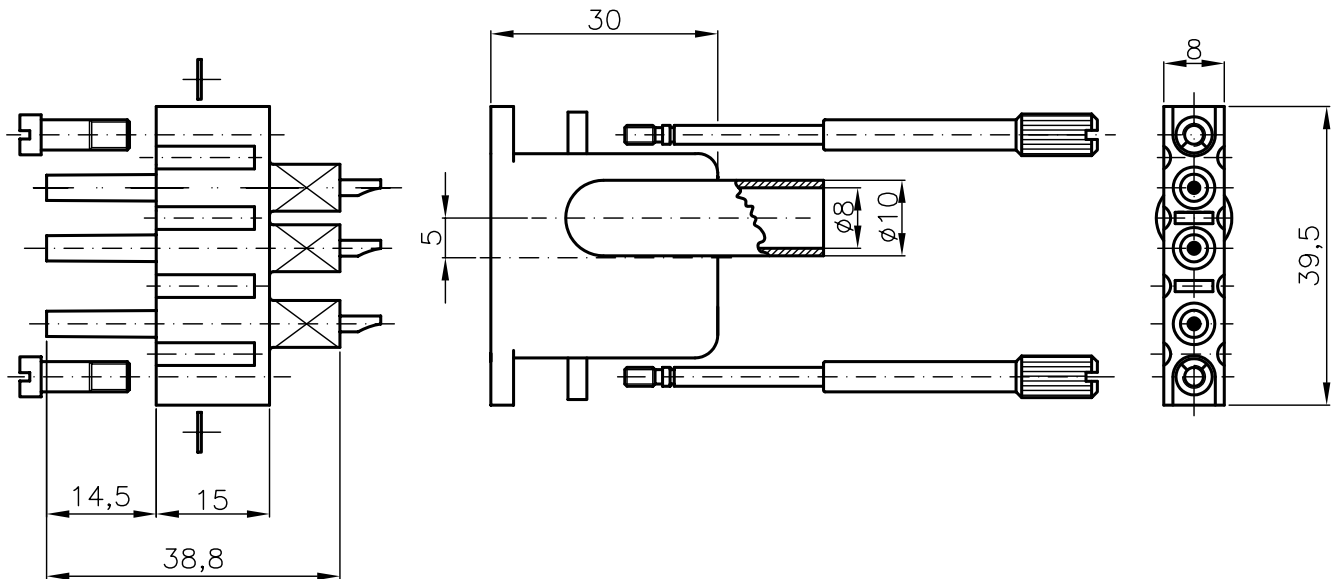
MECHANICAL FEATURES :

Operating cycles : 500 Insertions

4		UPDATED AND TRANSLATED IN ENGLISH	12/01/05 FC			
3		UPDATED	28/01/02 FC			
2		UPDATED	24/09/01 FC			
1		FIRST ISSUE	27/08/01 FC			
N°		Issue	Drawn	Check	Appr.	Drawing: BARBA Check: CONGIA
Description:						Date: 14/01/04 U.M. mm Form. A4 Scale 1:1
HIGH VOLTAGE CONNECTOR						Drawing N°: 28-020r04
S.p.A. MILAN						Code: 28.002.512-020

Copying of this document, disclosing it to third parties or using the contents thereof for any purposes without express written authorization by us is legally forbidden. Any offenders are liable to pay all relevant damages.

**PLUG 3 FEMALE CONTACTS SOLDER TERMINATIONS
WITH SPECIAL HOOD**



MATERIALS & PLATING :

Body	PE-AD53+MB47	ULV0
Contact	CU-BE	Ag 5 μ
Other metal components	Brass, ISO OT58	Ni 3 μ

ELECTRICAL DATA :

Working voltage : 15 kV DC
 Test voltage : 20 kV DC
 Working current : 2mA

MECHANICAL FEATURES :

Operating cycles : 500 Insertions

2	UPDATED AND TRANSLATED IN ENGLISH	12/01/05 FC			
1	FIRST ISSUE	11/04/03 FC			
N°	Issue	Drawn	Check	Appr.	
Description:				Date:	
HIGH VOLTAGE CONNECTOR				14/01/04	
				U.M. mm Form. Scale A4 1:1	
				Drawing N°: 28-033r02	
S.p.A. MILAN				Code:	
				28.002.512-033	

Copying of this document, disclosing it to third parties or using the contents thereof for any purposes without express written authorization by us is legally forbidden. Any offenders are liable to pay all relevant damages.