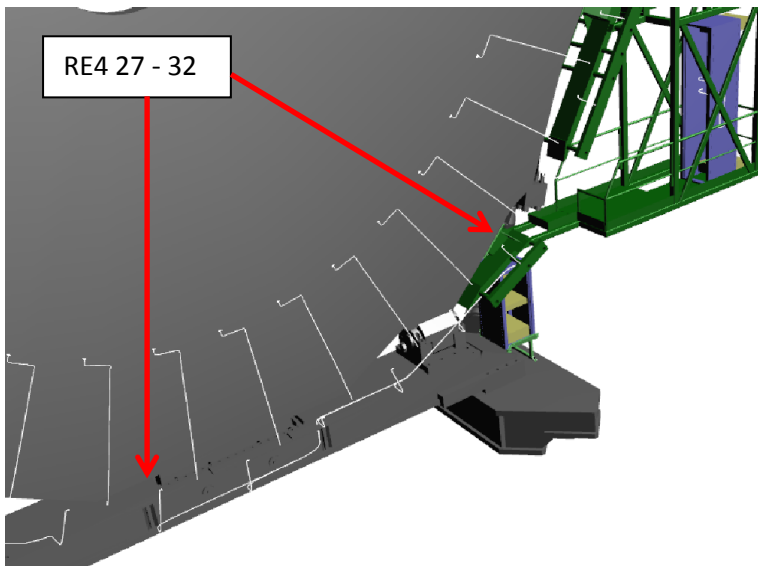


Signal cabling RE+4 UpDate

Ian Crotty

26 Aug 2013

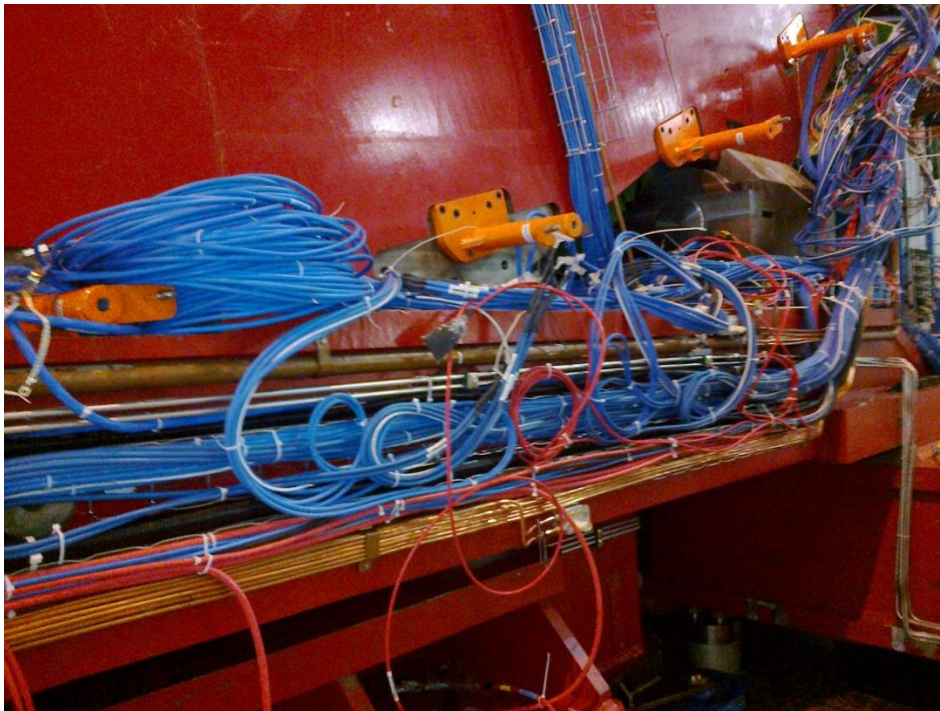
As planned Rack X2J52 (60deg) Chambers RE4/3 & RE4/2 27 – 32 is the first to be installed. This sector is finished on Saturday.



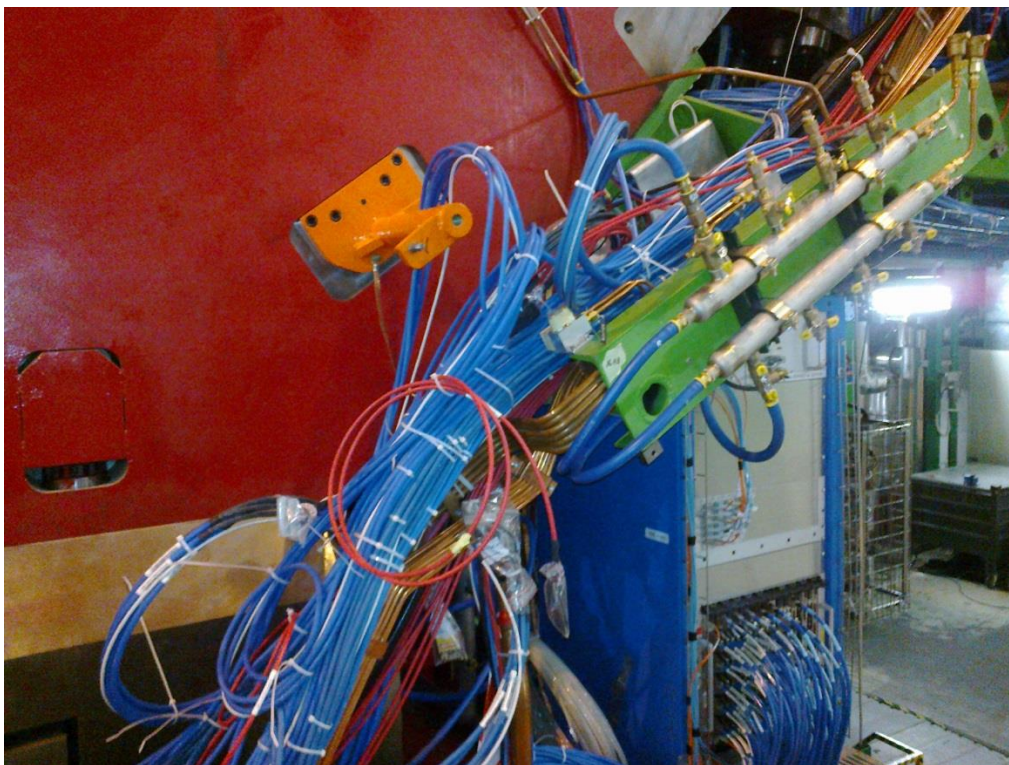
Cabling on Cart with cabling from CSCs.



CSC cable bundle on top of Cart and RPC cables attached in cable tray ready for chambers.

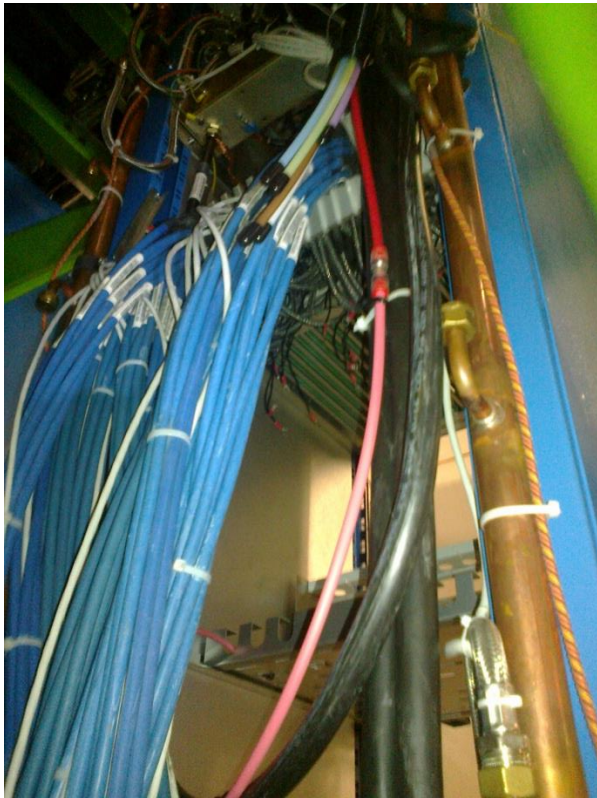


RE4/2 cables coiled back ready for installation once the chambers are installed.

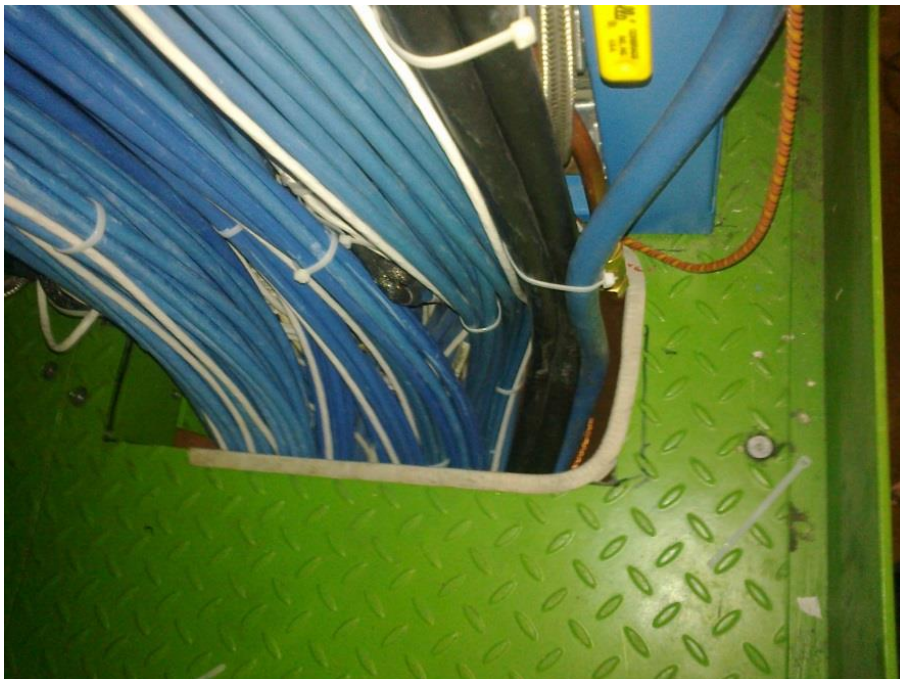


Some tidying to be done AND the HV cables installed when there was no access must be installed definitively using the templates.

Looking up at the finished cabling to LBB in X2J52. Strain relief works well.



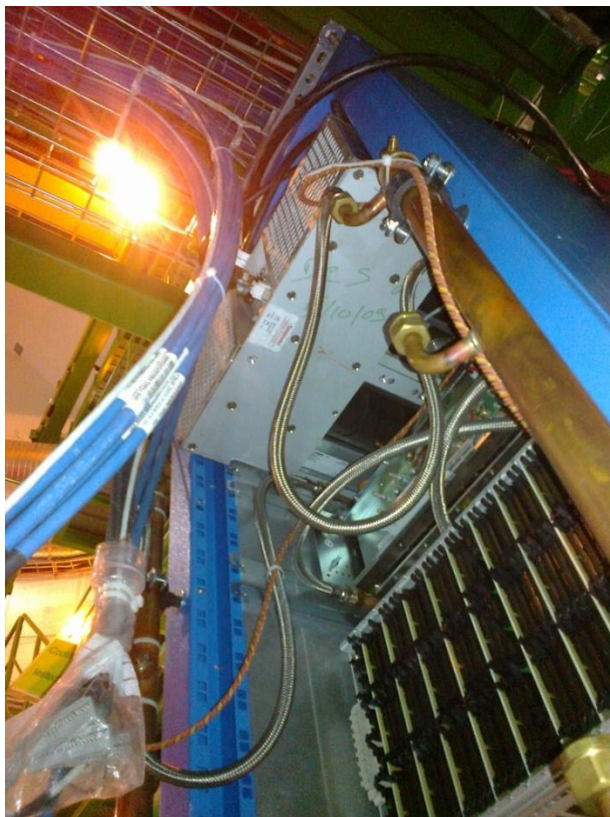
Cables in enlarged passage, plenty of space.



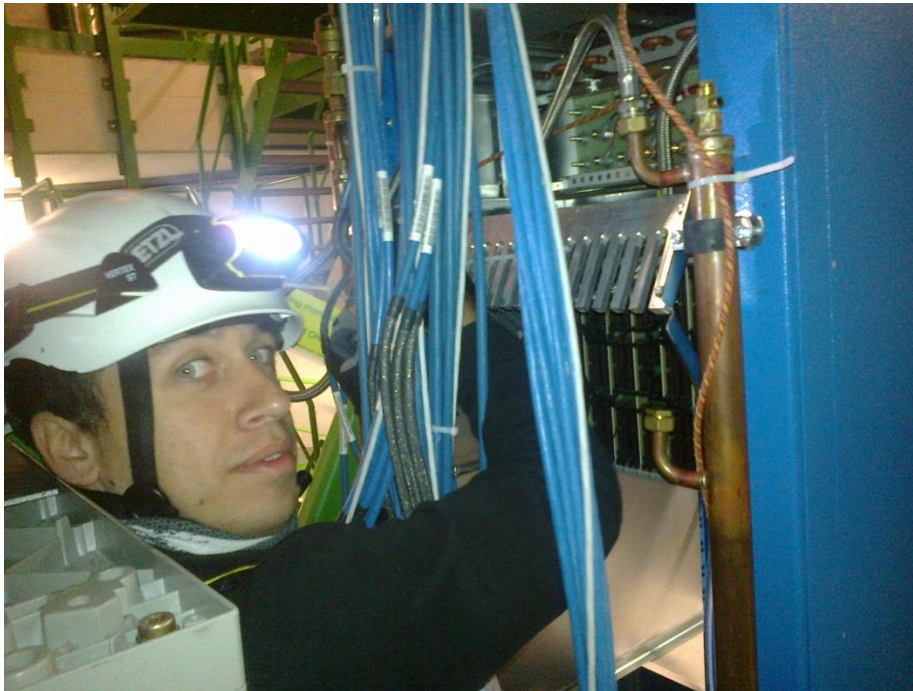
Cable tray installation on top of Rack X2A52 ready for 2nd 60deg sector. Cables already being installed.



Cables hanging down ready to be connected to Back plane.

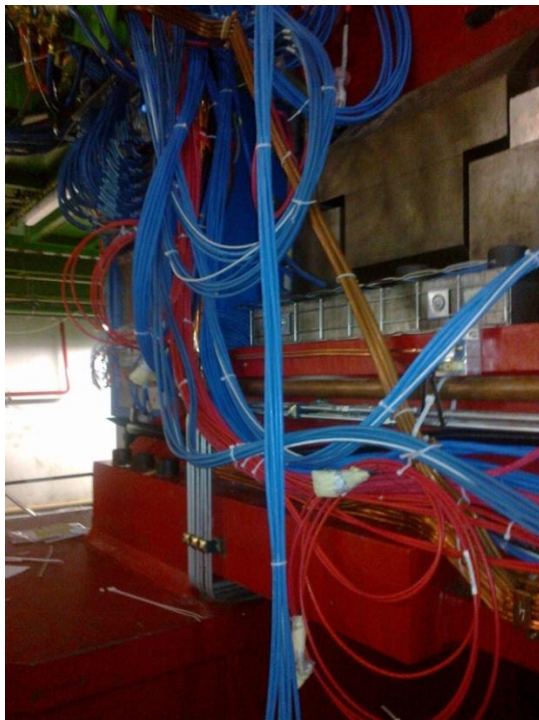


Plugging into the LBB on X2 Far.



Difficult Integration areas wrt YE4 in particular the re- inforcement columns in front of the Pivots.

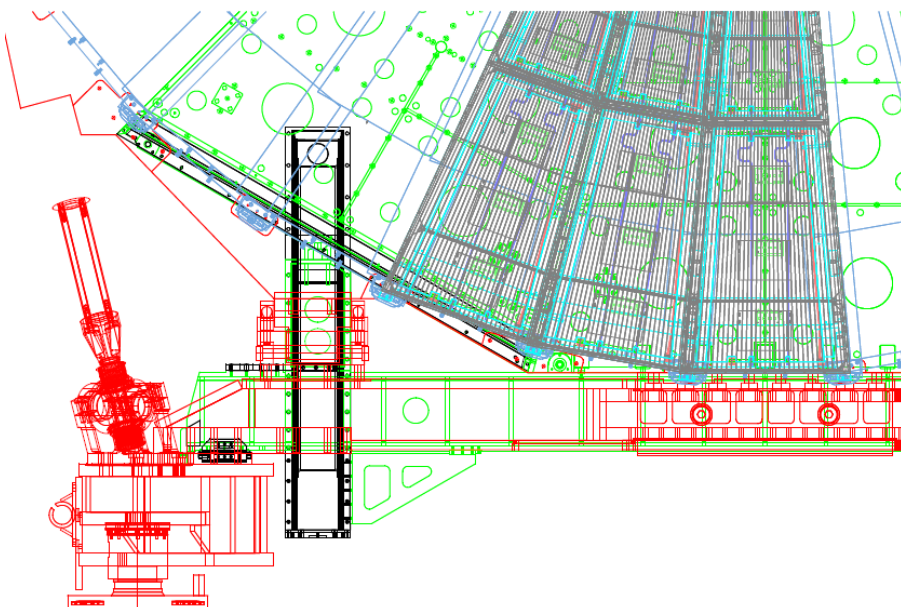
Dense cabling in front of the Far Pivot.



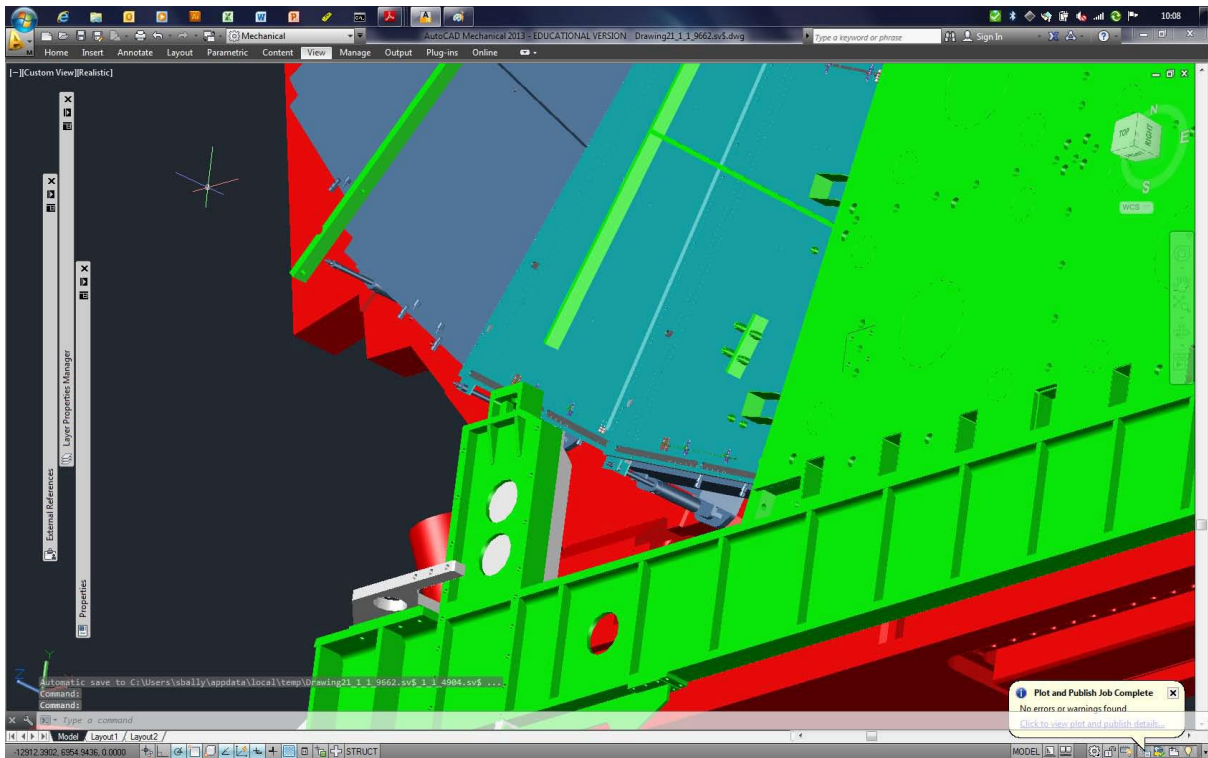
Dense cabling in front of the Near Pivot.



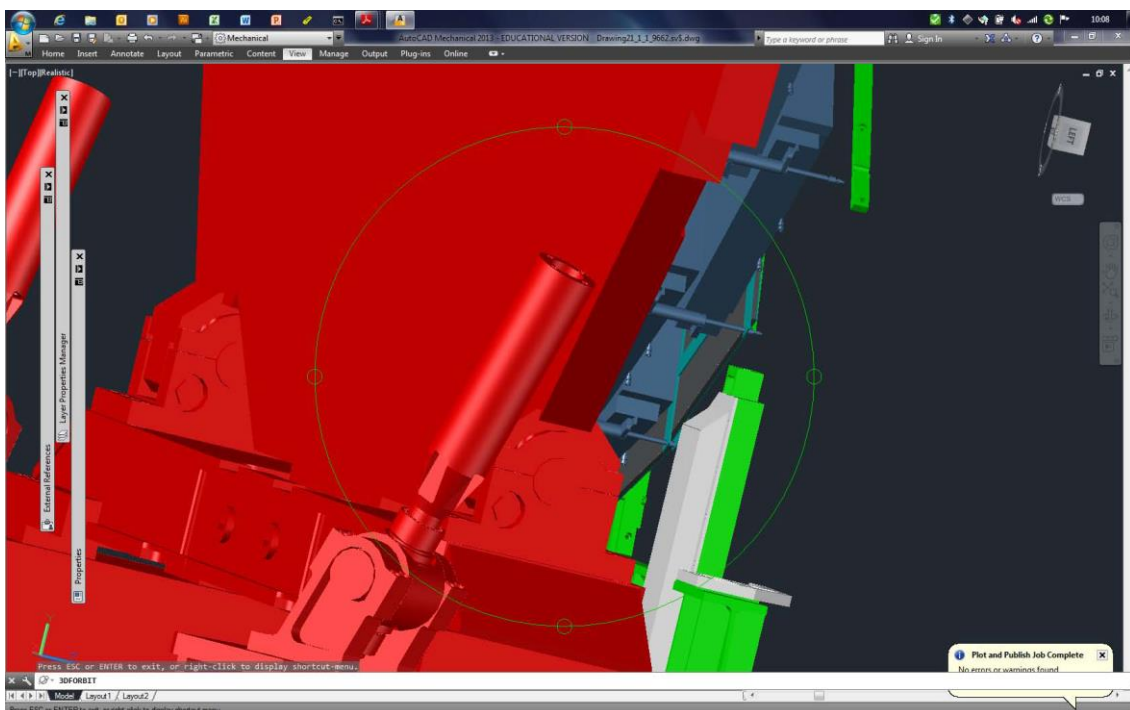
Reinforcement column of the YE4 and YE4 cart



Column of YE4 passes very close to the RE4 chambers and leaves little space for services. Looking from the non-IP with the YE4 yoke removed.



The services will have to placed so that once YE4 is mated to YE3 there is no damage. Looking from IP side of YE3 with the YE4 removed .



Involved and necessary people working simultaneously, otherwise the work stops after a few hours.

Russian cabling Team x3 people

Russian cable tray modification/installation x2 people

Link person Russian teams to RE4 x 1 person

Simon, Salvatore, Andres, plugging in signal cables to LBB, x1 full time

TC & Coordination x2 people